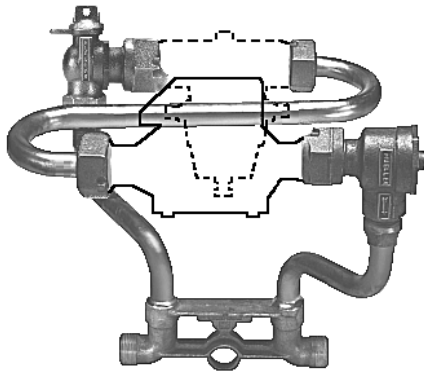


COPPER METER YOKES - TANDEM TYPE WITH HORIZONTAL INLET AND OUTLET



Tandem type copper meter yokes are normally used to set a meter and a pressure regulator but can also be used to set a meter and other types of valves or devices such as backflow preventors or air release valves. Due to the infinite number of combinations of tandem yokes that can be made, we ask that you copy this page and send your specific requirements to our Customer Service Center for a price and availability quotation.

Typical tandem meter yoke (meter and idler bar not included)

MUELLER® Tandem Meter Yoke Quotation Form

Your company name _____ Street address _____

City _____ State _____ Zip _____ Contact person _____

Job name _____ Qty. req'd. _____ Date req'd. _____

Meter size _____ Riser height _____ Type (flexible or cast tie bar) _____

I.D of pit or tile _____

Inlet size _____ Inlet connection _____ Inlet valve type _____

Type of tandem device (regulator, backflow preventor etc) _____

Size of tandem device _____ Lay Length of tandem device _____

Type of end connections on tandem device _____

Tandem device Manufacturers name _____ Tandem device model number _____

Type of outlet valve _____ Size of outlet _____ Outlet connection _____

Description of tandem yoke required _____

Optional: drawing or photo of yoke required