

MUELLER® / HUNT RISER EZ-SETTER® METER BOX

Mueller Co.

8F.5

Rev. 9-09



Above box shown with optional aluminum bottom and is sectioned to illustrate valve and fitting.

The MUELLER / Hunt Riser EZ-SETTER Meter Box provides a means to quickly install a meter. To make the meter more accessible in deeper boxes, the meter is set on a riser which positions it closer to ground level. The Riser EZ-SETTER comes pre-assembled, tested and ready to install. These meter boxes can also be ordered for double meter sets or tandem sets for meter and regulator or meter and backflow preventer.

The body of the meter box is made from rigid PVC which has a high insulating "R" value to resist "frost bridging" inside the box. For extremely cold climates, an optional insulating pad is available which traps the relatively warm air rising from the earth, to keep the meter set from freezing.

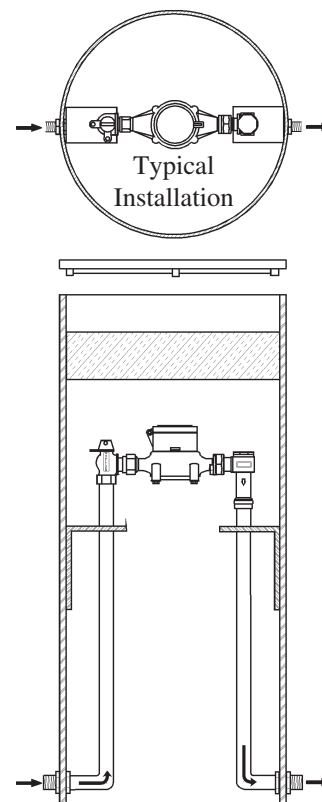
MUELLER / Hunt Riser EZ-SETTER Meter Boxes are shipped fully assembled, ready for meter installation. Their light weight saves shipping costs and makes installation a one man job in most cases. Every box is factory tested and has a 150 psig maximum working pressure rating.

MUELLER / Hunt Riser EZ-SETTER Meter Boxes are available for 5/8" to 1" meters. A wide variety of end connections, control valves, box depths, lids and other options provide you with the meter set that you want. Due to the almost endless combination of features available, each box is custom built to your specifications. See page 8F.6 for ordering instructions.

Manufactured under one or more of the following: U.S. Patent No. 4,614,113; 4,813,281

MUELLER / Hunt Riser EZ-SETTER Meter Box Features

- Rigid .300 minimum wall PVC material holds shape and resists frost bridging
- Optional insulation pad traps earth's heat
- White interior aids visibility
- Meter set is anchored to meter box wall to maintain alignment and stability
- Male I.P. thread inlet and outlet connections accept a variety of MUELLER Service Fittings--see section 6
- Optional aluminum bottom available
- Large selection of optional lids



8F-PVC/BOXES/VAULTS