

MUELLER® MODERN CENTURION® FIRE HYDRANT PARTS

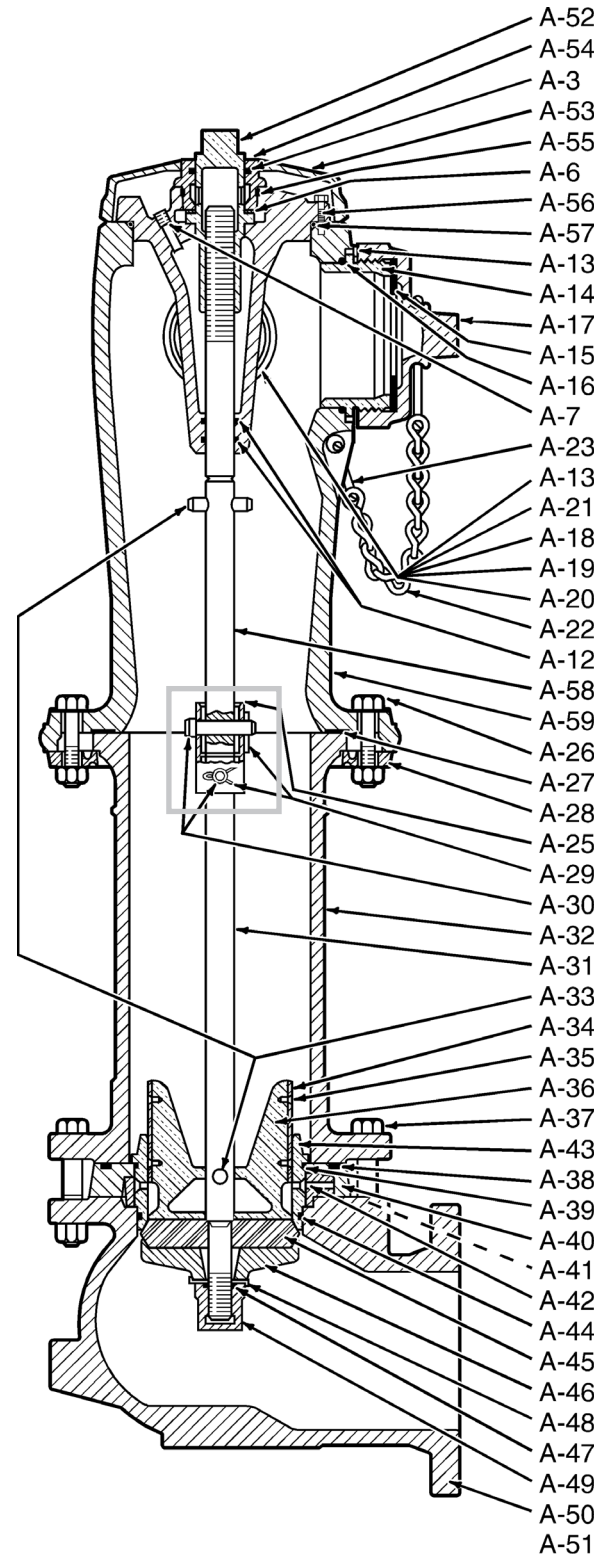
Mueller Co.

9.13

Shaded area indicates changes Rev. 9-09

MUELLER Modern Centurion Fire Hydrant Parts

Cat. part no.	Description	Material	Material standard
A-3	Hold down nut O-ring	Rubber	ASTM D2000 BUNA N
A-5	Bonnet O-ring	Rubber	ASTM D2000 BUNA N
A-6	Anti-friction washer	Celcon	
A-7	Oil plug	Brass	ASTM B16
A-12	Stem O-ring	Rubber	ASTM D2000 BUNA N
A-13	Nozzle lock	Stainless steel	ASTM A276
A-14	Pumper nozzle	Bronze	ASTM B584
A-15	Pumper nozzle gasket	Rubber	ASTM D2000 Neoprene
A-16	Pumper nozzle O-ring	Rubber	ASTM D2000 BUNA N
A-17	Pumper nozzle cap	Cast iron	ASTM A126 CL.B
A-18	Hose nozzle	Bronze	ASTM B584
A-19	Hose nozzle gasket	Rubber	ASTM D2000 Neoprene
A-20	Hose nozzle O-ring	Rubber	ASTM D2000 BUNA N
A-21	Hose nozzle cap	Cast iron	ASTM A126 CL.B
A-22	Cap chain	Steel	Plated
A-23	Chain ring	Steel	Plated
A-25	Safety coupling	Stainless steel	ASTM 890
A-26	Safety flange bolt and nut	Steel	ASTM A307 Plated
A-27	Safety flange gasket	Rubber	ASTM D2000 BUNA N
A-28	Safety flange	Cast iron	ASTM A126 CL.B
A-29	Cotter pin	Stainless steel	ASTM A276
A-30	Clevis pin	Stainless steel	ASTM A276
A-31	Lower stem	Steel	ASTM A576 GR.1117
A-32	Lower barrel	Cast iron	ASTM A126 CL.B
A-33	Stem pin	Stainless steel	ASTM A276
A-34	Drain valve facing	Plastic	
A-35	Drain valve screw	Stainless steel	ASTM A276
A-36	Upper valve plate (includes A-34 and A-35)	Bronze	ASTM B584
A-37	Shoe bolt and nut	Steel	ASTM A307 Plated
A-38	Drain ring housing O-ring (1997 and newer models; pre-1997 models have flat gasket)	Rubber	ASTM D2000 BUNA N
A-39	Seat ring top O-ring	Rubber	ASTM D2000 BUNA N
A-40	Drain ring housing	Cast iron	ASTM A126 CL.B
A-41	Drain ring housing bolt and nut (not shown; used only on pre-1997 model hydrants)	Steel	ASTM A307 Plated
A-42	Drain ring	Bronze	ASTM B584
A-43	Seat ring	Bronze	ASTM B584
A-44	Seat ring bottom O-ring	Rubber	ASTM D2000 BUNA N
A-45*	Reversible main valve (1997 and newer models only; pre-1997 models use non-reversible main valve and lower valve plate - not shown)	Rubber	ASTM D2000
A-46	Lower valve plate (1997 and newer models for reversible main valve; pre-1997 models have non-reversible main valve - not shown)	Cast iron	ASTM A126 CL.B
A-47	Cap nut seal	Rubber	ASTM D2000
A-48	Lock washer	Stainless steel	ASTM A276
A-49	Lower valve plate nut	Cast iron	ASTM A126 CL.B
A-50	Shoe**	Cast iron	ASTM A126 CL.B
A-51	10.5 oz. hydrant lubricating oil (not shown)		
A-52	Operating nut	Bronze	ASTM B584
A-53	Weather cap	Cast iron	ASTM A126 CL. B
A-54	Hold down nut	Bronze	ASTM B584
A-55	Housing	Cast iron	ASTM A126 CL.B
A-56	Housing bolt	Steel	ASTM A307 Plated
A-57	Top housing O-ring	Rubber	ASTM D2000
A-58	Upper stem	Steel	ASTM A576 GR.1117
A-59	Upper barrel less nozzles	Cast iron	ASTM A126 CL.B



* Pre-1997 models may be upgraded to use the reversible main valve by also replacing the lower valve plate with the 1997 model.

** 6" MJ shoe material is Ductile Iron, ASTM A536 Grade 65-45-12.