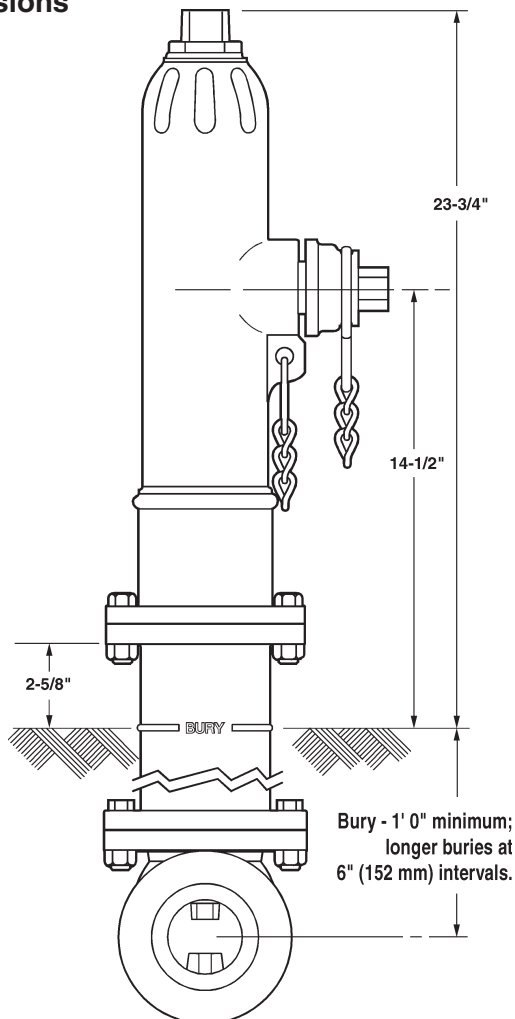


Rev. 9-09

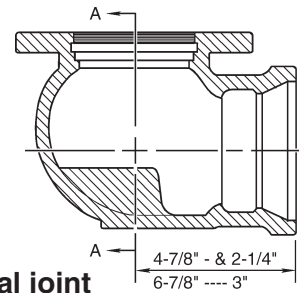
- ❑ Catalog numbers --
  - A-411 2-1/8" main valve opening two way (two 2-1/2" hose nozzles)
  - A-411 2-1/8" main valve opening one way (one 2-1/2" hose nozzle)
- ❑ Meets all applicable parts of ANSI/AWWA C502 Standard
- ❑ Post type dry barrel design
- ❑ Compression type main valve closes with pressure
- ❑ Operating nut available in wide variety of shapes and sizes
- ❑ Field replaceable hose nozzles
- ❑ Hose nozzles have large radius, full flow openings for low friction loss
- ❑ Contoured shoe is designed for full flow
- ❑ Dual bronze drain valves provide effective barrel drainage
- ❑ 150 psig (1034 kPa) maximum working pressure, 300psig (2068 kPa) test pressure



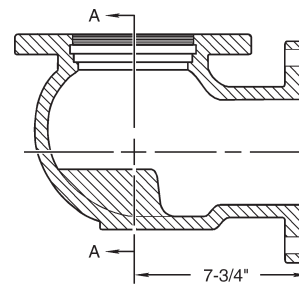
## Dimensions



### Mechanical joint



### Flange



### Threaded

