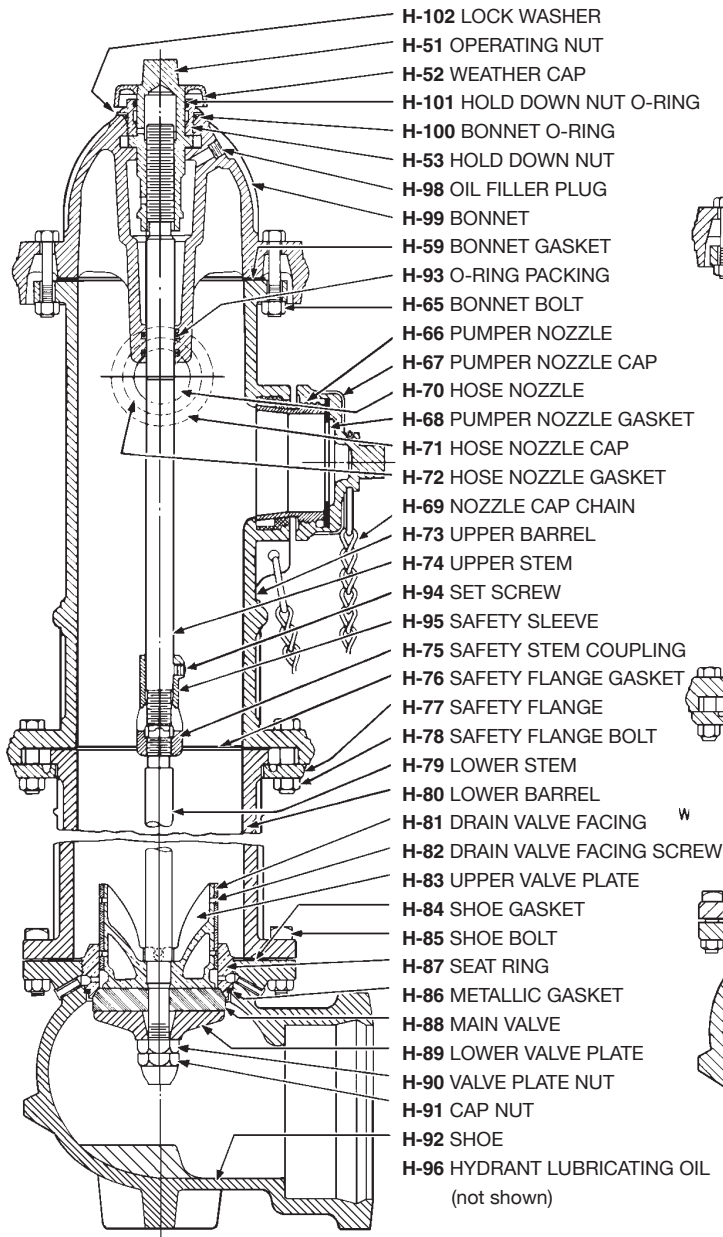


## HYDRANT WITH BRASS SAFETY STEM COUPLING



## HYDRANT WITH STEEL SAFETY STEM COUPLING

