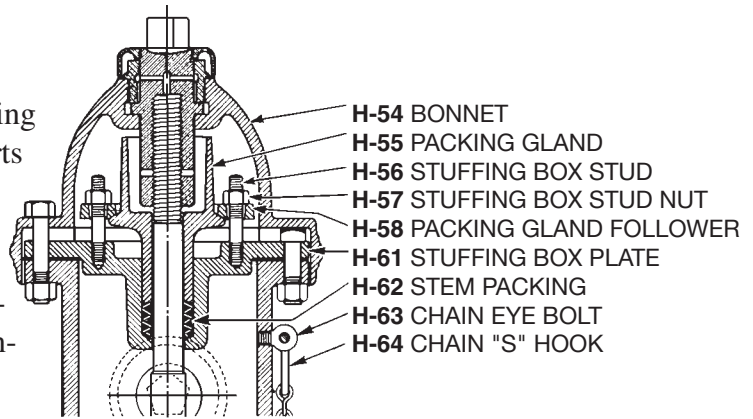


## 1934 THROUGH 1947

Bonnet section of hydrant with conventional packing and without oil filler plug in bonnet. All other parts same as on previous page.

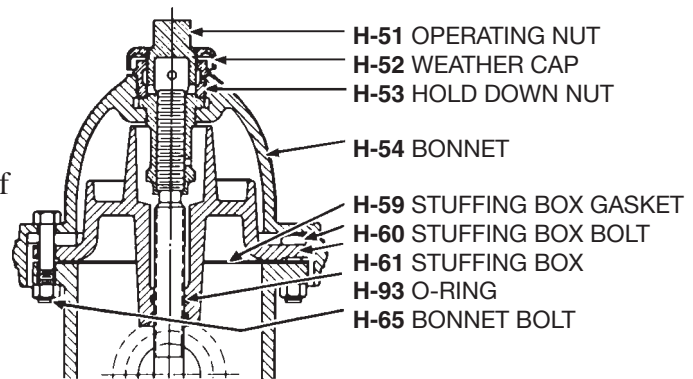
Appearance same a 1948 through 1953. No filler plug. If nozzle chains are attached to eyebolt, bonnet is the style, unless changed. Packing in conventional.



## 1948 THROUGH 1953

Bonnet section with O-ring seals and without oil filler plug in bonnet. All other parts same as drawing on previous page. Year date is marked on side of barrel.

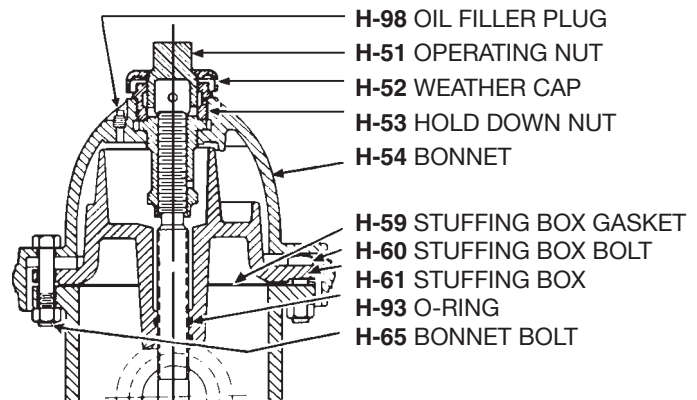
No oil filler plug. Nozzle chains are attached below each nozzle. O-rings now used in place of conventional packing.



## 1954 THROUGH 1961

Bonnet section with O-ring seals and oil filler plug in bonnet. All other parts same as drawing on previous page. Year date is marked on side of barrel.

Oil reservoir changed in shape to allow addition of oil without disturbing bonnet. Oil filter plug in vertical position.



## HYDRANT WITH SEALED OIL RESERVOIR - 1962 STYLE

Hydrant bonnet is marked SR on top of flange. Oil filler plug is set on an angle. Lock washer was added in 1965. Year date is marked on side of barrel.

