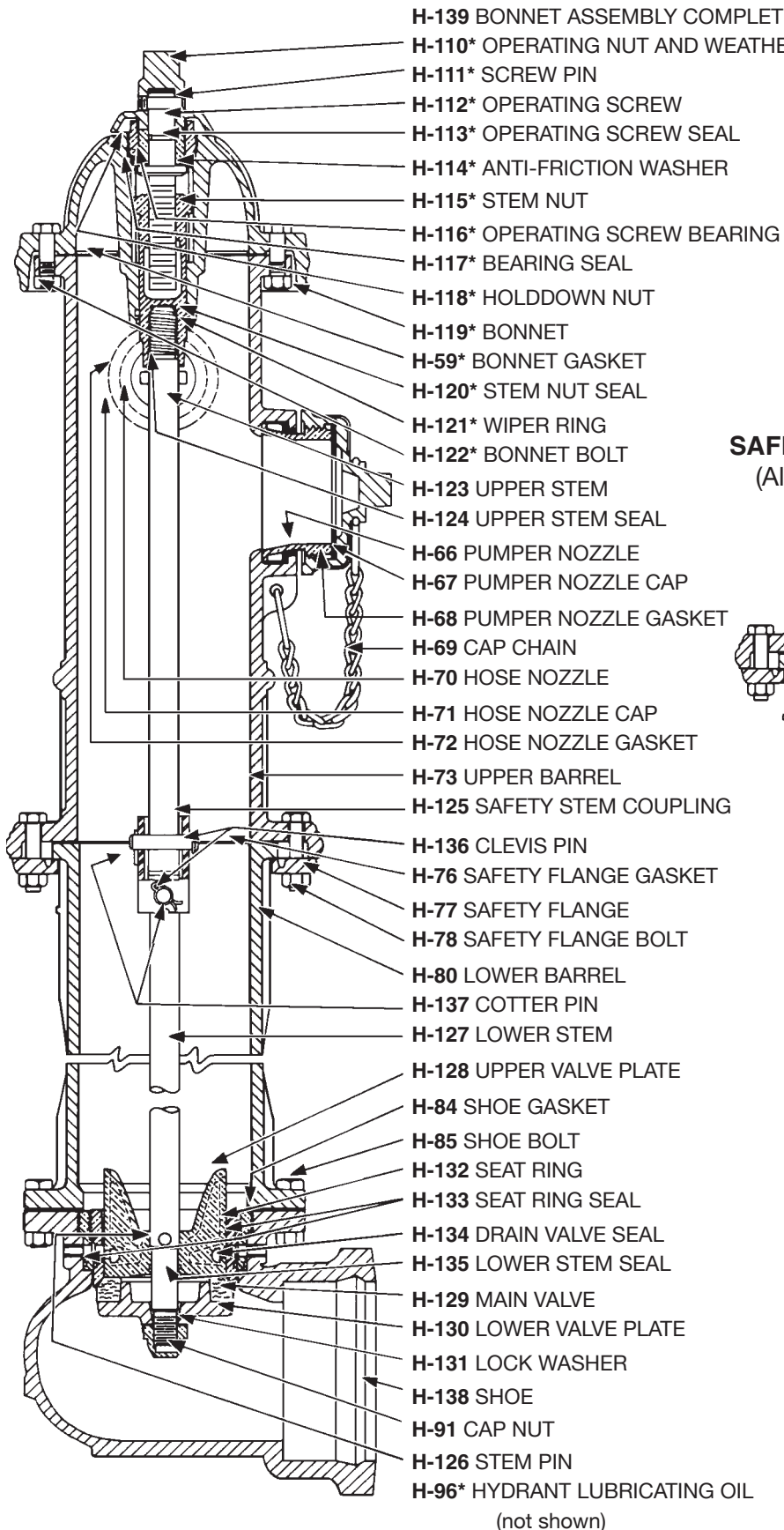


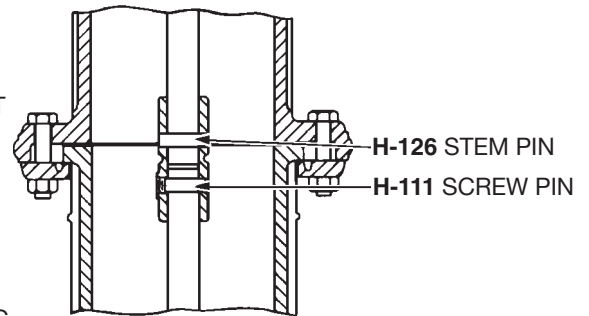
## HYDRANT WITH STEEL SAFETY STEM COUPLING



- H-139 BONNET ASSEMBLY COMPLETE (includes following\*)
- H-110\* OPERATING NUT AND WEATHER CAP
- H-111\* SCREW PIN
- H-112\* OPERATING SCREW
- H-113\* OPERATING SCREW SEAL
- H-114\* ANTI-FRICTION WASHER
- H-115\* STEM NUT
- H-116\* OPERATING SCREW BEARING
- H-117\* BEARING SEAL
- H-118\* HOLDDOWN NUT
- H-119\* BONNET
- H-59\* BONNET GASKET
- H-120\* STEM NUT SEAL
- H-121\* WIPER RING
- H-122\* BONNET BOLT
- H-123 UPPER STEM
- H-124 UPPER STEM SEAL
- H-66 PUMPER NOZZLE
- H-67 PUMPER NOZZLE CAP
- H-68 PUMPER NOZZLE GASKET
- H-69 CAP CHAIN
- H-70 HOSE NOZZLE
- H-71 HOSE NOZZLE CAP
- H-72 HOSE NOZZLE GASKET
- H-73 UPPER BARREL
- H-125 SAFETY STEM COUPLING
- H-136 CLEVIS PIN
- H-76 SAFETY FLANGE GASKET
- H-77 SAFETY FLANGE
- H-78 SAFETY FLANGE BOLT
- H-80 LOWER BARREL
- H-137 COTTER PIN
- H-127 LOWER STEM
- H-128 UPPER VALVE PLATE
- H-84 SHOE GASKET
- H-85 SHOE BOLT
- H-132 SEAT RING
- H-133 SEAT RING SEAL
- H-134 DRAIN VALVE SEAL
- H-135 LOWER STEM SEAL
- H-129 MAIN VALVE
- H-130 LOWER VALVE PLATE
- H-131 LOCK WASHER
- H-138 SHOE
- H-91 CAP NUT
- H-126 STEM PIN
- H-96\* HYDRANT LUBRICATING OIL  
(not shown)

## HYDRANT WITH CAST IRON SAFETY STEM COUPLING

(All other parts same as  
drawing at left)



- H-126 STEM PIN
- H-111 SCREW PIN