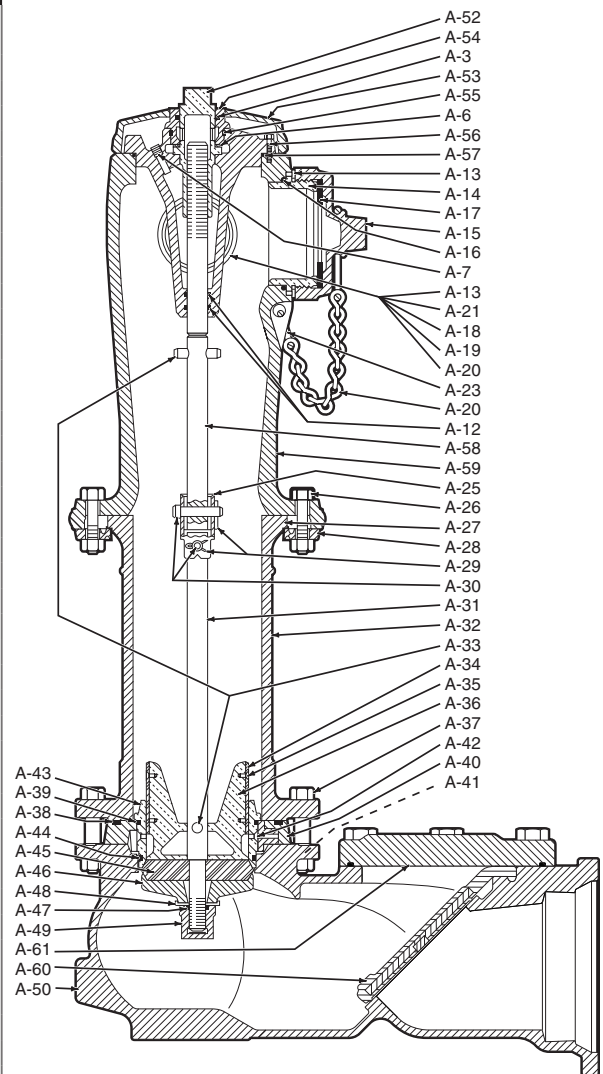


# MUELLER® MODERN CENTURION 250/HS™ **Mueller Co.**

# 9A.5

Rev. 9-09

Cat part #	Description	Material	Material standard
A-3	Hold Down Nut O-ring	Rubber	ASTM D2000 Buna N
A-5	Bonnet O-ring	Rubber	ASTM D2000 Buna N
A-6	Anti-friction Washer	Celcon	
A-7	Oil Plug	Brass	ASTM B16
A-12	Stem O-ring	Rubber	ASTM D2000 Buna N
A-13	Nozzle Lock	Stainless Steel	ASTM A276
A-14	Pumper Nozzle	Bronze	ASTM B584
A-15	Pumper Nozzle Gasket	Rubber	ASTM D2000 Neoprene
A-16	Pumper Nozzle O-ring	Rubber	ASTM D2000 Buna N
A-17	Pumper Nozzle Cap	Cast Iron	ASTM A126 CL.B
A-18	Hose Nozzle	Bronze	ASTM B584
A-19	Hose Nozzle Gasket	Rubber	ASTM D2000 Neoprene
A-20	Hose Nozzle O-ring	Rubber	ASTM D2000 Buna N
A-21	Hose Nozzle Cap	Cast Iron	ASTM A126 CL.B
A-22	Cap Chain	Steel Plated	
A-23	Chain Ring	Steel Plated	
A-25	Safety Coupling	Stainless Steel	ASTM A890
A-26	Safety Flange Bolt and Nut	Steel	ASTM A307 Plated
A-27	Safety Flange O-ring	Rubber	Cellulose
A-28	Safety Flange	Cast Iron	ASTM A126 CL.B
A-29	Cotter Pin	Stainless Steel	ASTM A276
A-30	Clevis Pin	Stainless Steel	ASTM A276
A-31	Lower Stem	Steel	ASTM A576 GR.B
A-32	Lower Barrel	Cast Iron	ASTM A126 CL.B
A-33	Stem Pin	Stainless Steel	ASTM A276
A-34	Drain Valve Facing	Plastic	
A-35	Drain Valve Screw	Stainless Steel	ASTM A276
A-36	Upper Valve Plate (includes A-34 and A-35)	Bronze	ASTM B584
A-37	Shoe bolt and nut	Steel	ASTM A-307 Plate
A-38	Drain Ring Housing O-ring (1997 and newer models; pre-1997 models have flat gasket)	Rubber	ASTM D2000 Buna N
A-39	Seat Ring Top-O-ring	Rubber	ASTM D2000 Buna N
A-40	Drain Ring Housing	Cast Iron	ASTM A-126 CL.B
A-41	Drain Ring Housing Bolt and Nut (not shown; used only on pre-1997 model hydrants)	Steel	ASTM A307 Plated
A-42	Drain Ring	Bronze	ASTM B584
A-43	Seat Ring	Bronze	ASTM B584
A-44	Seat Ring Bottom O-ring	Rubber	ASTM D2000 Buna N
A-45*	Reversible Main Valve (1997 and new models only; pre-1997 models use non-reversible main valve and lower valve plate - not shown)	Rubber	ASTM 2000
A-46	Lower Valve Plate (1997 and new models only; pre-1997 models use non-reversible main valve and lower valve plate - not shown)	Cast Iron	ASTM A126 CL.B
A-47	Cap Nut Seal	Rubber	ASTM D2000
A-48	Lock Washer	Stainless Steel	ASTM A276
A-49	Lower Valve Plate Nut	Cast Iron	ASTM A126 CL.B
A-50	Shoe**	Ductile Iron	ASTM A536 Grade 65-45-12
A-51	Hydrant Lubricating Oil (not shown)		
A-52	Operating Nut	Bronze	ASTM B584
A-53	Weather Cap	Cast Iron	ASTM A126 CL.B
A-54	Hold Down Nut	Bronze	ASTM B584
A-55	Housing	Cast Iron	ASTM A126 CL.B
A-56	Housing Bolt	Steel	ASTM A307 Plated
A-57	Top Housing O-ring	Rubber	ASTM D2000
A-58	Upper stem	Steel	ASTM A576 GR.117
A-59	Upper Barrel less nozzle	Cast Iron	ASTM A126 CL.B
A-60	Flapper		
A-61	Lid	Ductile Iron	ASTM A536 Grade 65-45-12



\* Pre-1997 models may be upgraded to use the reversible main valve by also replacing the lower valve plate with the 1997 model.  
 \*\* 6" MJ shoe material is Ductile Iron, ASTM A536 Grade 65-45-12.