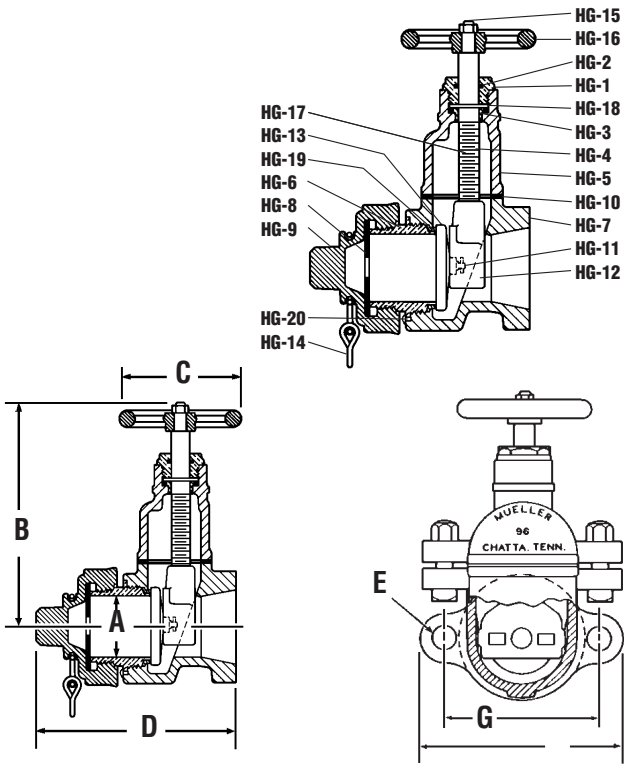


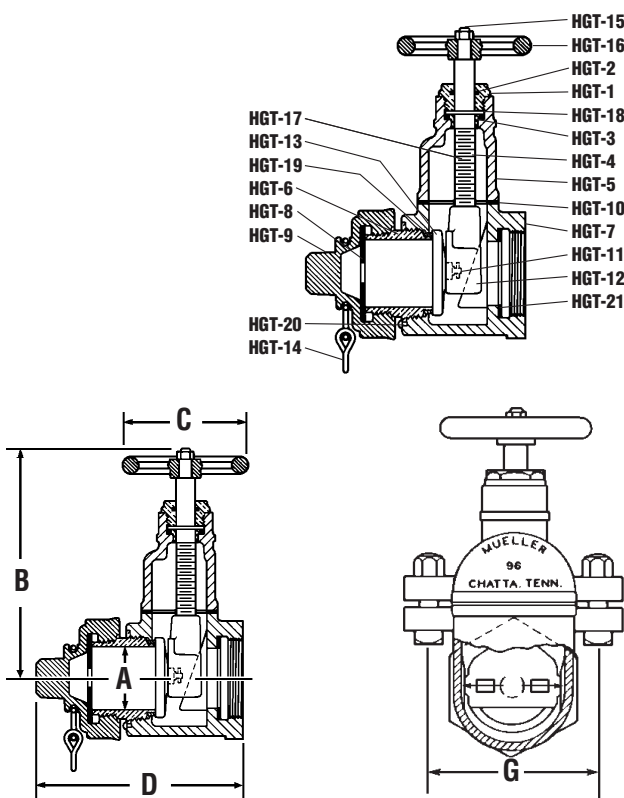
A-373 UL LISTED/FM APPROVED



Cat. Part #	Description	Material	Material Standard
HG-1	Stuffing Box	Bronze	ASTM B62
HG-2	O-Ring Packing	Rubber	ASTM D2000
HG-3	Bonnet Bushing	Bronze	ASTM B62
HG-4	Stem	Manganese Bronze	Alloy 676
HG-5	Bonnet	Cast Iron	ASTM A126
HG-6	Hose Nozzle	Bronze	ASTM B62
HG-7	Body	Cast Iron	ASTM A126
HG-8	Hose Nozzle Gasket	Rubber	ASTM D735
HG-9	Hose Nozzle Cap	Cast Iron	ASTM A126
HG-10	Bonnet Gasket	Rubber	Cloth Inserted
HG-11	Cotter Pin	Brass	-
HG-12	Wedge Nut	Bronze	ASTM B62
HG-13	Disc	Bronze	ASTM B62
HG-14	Chain	Steel	-
HG-15	Cap Nut	Steel	ASTM A307 Grade B
HG-16	Handwheel	Ductile Iron	ASTM A47
HG-17	Bonnet Bolt	Steel	ASTM A307
HG-18	O-Ring	Rubber	ASTM D2000
HG-19	Valve Seat	Rubber	ASTM D2000
HG-20	Retaining Rivet	Copper	-

DIMENSIONS						
A	B	C	D	E	F	G
2-1/2"	9"	5"	8-3/16"	7/8"	7-3/8"	5-5/8"

A-369 NOT UL LISTED OR FM APPROVED



Cat. Part #	Description	Material	Material Standard
HGT-1	Stuffing Box	Bronze	ASTM B62
HGT-2	O-Ring Packing	Rubber	ASTM D2000
HGT-3	Bonnet Bushing	Bronze	ASTM B62
HGT-4	Stem	Manganese Bronze	Alloy 676
HGT-5	Bonnet	Cast Iron	ASTM A126
HGT-6	Hose Nozzle	Bronze	ASTM B62
HGT-7	Body	Cast Iron	ASTM A126
HGT-8	Hose Nozzle Gasket	Rubber	ASTM D735
HGT-9	Hose Nozzle Cap	Cast Iron	ASTM A126
HGT-10	Bonnet Gasket	Rubber	Cloth Inserted
HGT-11	Cotter Pin	Brass	-
HGT-12	Wedge Nut	Bronze	ASTM B62
HGT-13	Disc	Bronze	ASTM B62
HGT-14	Chain	Steel	-
HGT-15	Cap Nut	Steel	ASTM A307 Grade B
HGT-16	Handwheel	Ductile Iron	ASTM A47
HGT-17	Bonnet Bolt	Steel	ASTM A307
HGT-18	O-Ring	Rubber	ASTM D2000
HGT-19	Valve Seat	Rubber	ASTM D2000
HGT-20	Retaining Rivet	Copper	-
HGT-21	Gasket	Rubber	ASTM D2000

DIMENSIONS				
A	B	C	D	G
2-1/2"	9"	5"	8-3/16"	5-5/8"