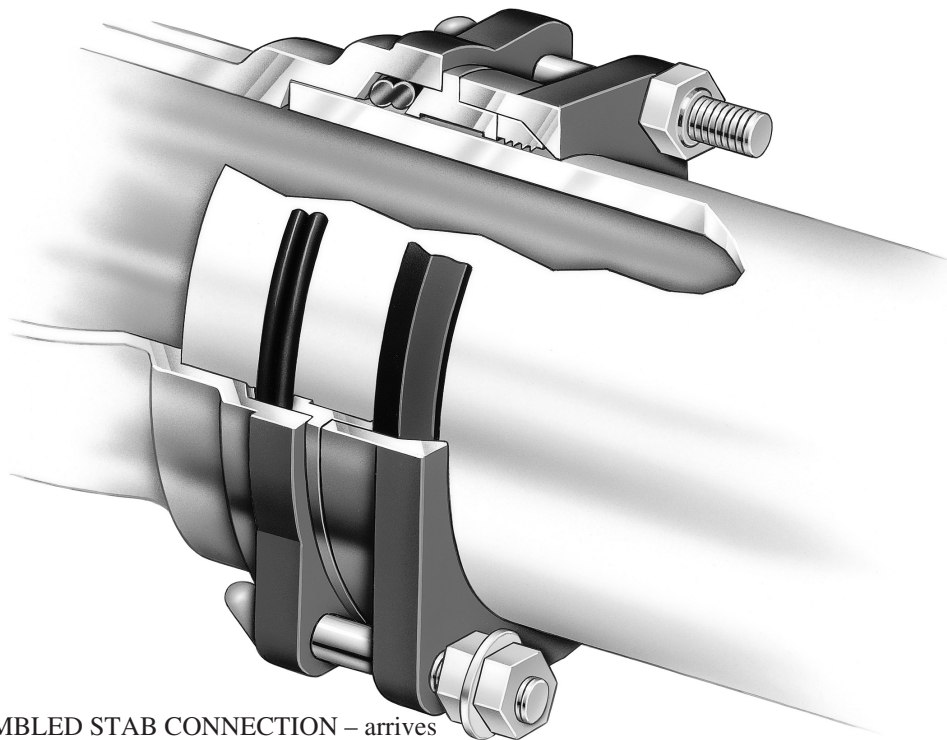


**SUPER CENTURION®
FIRE HYDRANT WITH
AQUAGRIP™ SYSTEM****Mueller Co.****UL / FM****FIRE PROTECTION PRODUCTS****MUELLER® HYDRANTS WITH AQUA-GRIP™ SYSTEM**

The Mueller® Aqua-Grip™ System is offered on Super Centurion 250™ and Super Centurion 200™ and Modern Centurion fire hydrants. This Mueller exclusive system combines both the compression connection and the pipe restraint system in one convenient, quick installation package. This eliminates the need for anchor couplings, tie rods or separate gland-type restrains. The Aqua-Grip connection uses fewer bolts than a conventional mechanical joint end, and substantially fewer than a gland-type restraint, significantly reducing installation time. This “labor saving” system is also available on Mueller Series 2361 Resilient Wedge Gate valves.

- ❑ ACCEPTS VARIED TYPES OF PIPE – DIPS style fits DI, C900 PVC and DIPS PE pipe. IPS style fits PVC, IPS PE and steel pipe. No disassembly or adapters, no special pipe end preparation, and no liner for PE pipe (DR9-DR17) required.
- ❑ PRESSURE RESPONSIVE O-RING SEAL – unique double O-ring uses hydrostatic pressure from inside the pipe to enhance the seal as line pressure increases.
- ❑ FULL CIRCUMFERENTIAL RESTRAINT – gripper ring encircles pipe for uniform grip without creating points of high stress in pipe wall that could contribute to pipe failure.



- ❑ FULLY ASSEMBLED STAB CONNECTION – arrives ready to insert the pipe, tighten the bolts and it's done. No need to change-out, add or remove parts. Nothing additional to inventory or handle in the field. No extra bolts to assemble or tighten. Substantially reduces labor and inventory costs.
- ❑ VISUALLY SHOWS WHEN PROPERLY TIGHTENED – breakaway nuts snap off using a standard wrench. No special torque requirements. Inner nut remains in place to allow future access to connection, if required. Reduces crew training and saves installation time. (In illustration, lower nut shown before tightening, upper one after.)
- ❑ INSTALLS IN WET CONDITIONS – no special field conditions required, even installs under water.
- ❑ DUCTILE IRON CONSTRUCTION – hydrant shoe and the Aqua-Grip System components.
- ❑ PLUS ALL THE OTHER FEATURES OF THE CENTURION® HYDRANT