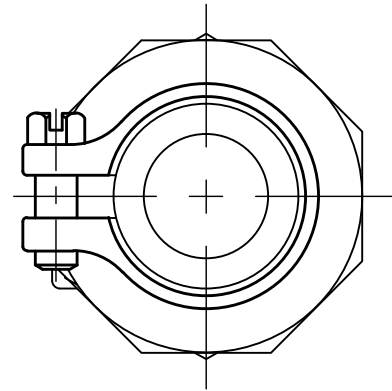
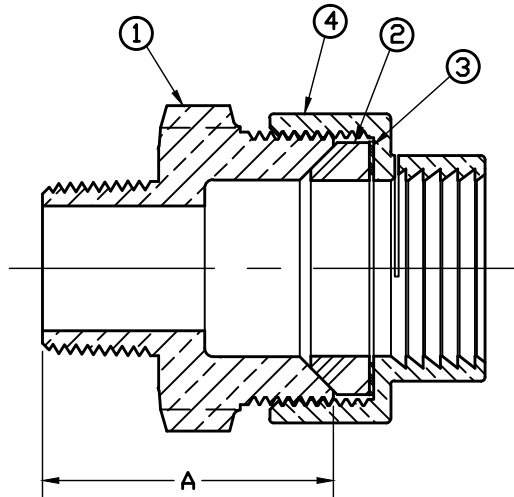


| No. | QTY | DESCRIPTION | MATERIAL                         |
|-----|-----|-------------|----------------------------------|
| 1   | 1   | SPUD        | CAST LOW LEAD BRASS ALLOY        |
| 2   | 1   | COMP GSKT   | NITRILE ASTM D2000               |
| 3   | 1   | WASHER      | POLYPROPYLENE                    |
| 4   | 1   | CPLG NUT    | CAST BRASS ASTM B62 ALLOY C83600 |



| SIZE        | A    |
|-------------|------|
| 1"          | 2.19 |
| 1" x 3/4"   | 2.14 |
| 1 1/2"      | 2.78 |
| 1 1/2" x 1" | 2.88 |
| 2"          | 2.95 |

**NOTE: ALL WETTED PARTS ARE LOW LEAD BRASS ALLOY**

FILEPATH: PROD-ENG\MUELLER\ASYSUBMITTALS\V15440N

|  |         |             |                           |                        |      |   |                                |
|--|---------|-------------|---------------------------|------------------------|------|---|--------------------------------|
| DRFTR                                      | JGarvir | 9/17/09     | <b>Mueller Co.</b>        |                        |      |   |                                |
| CHKR                                       |         |             |                           |                        |      |   |                                |
| ENGR                                       |         |             |                           |                        |      |   |                                |
| MGR  |         |             |                           |                        |      |   |                                |
|  |         |             | UNLESS OTHERWISE NOTED    | THIRD ANGLE PROJECTION |      |   |                                |
|  |         |             | SURFACE PREPARATION:      |                        |      |   |                                |
|  |         |             | BREAK CORNER(S) ---- .000 |                        |      |   |                                |
|  |         |             | SURFACE FINISH -- XX RMS  | REF. No.               |      |   |                                |
|  |         |             | TOLERANCE(S):             | SCALE                  |      |   |                                |
|  |         |             | LINEAR ----- ± .000       | FULL                   |      |   |                                |
|  |         |             | ANGULAR ----- ± 0°00'     |                        |      |   |                                |
|  |         |             | STK No:                   |                        |      |   |                                |
|  |         |             | MAT'L:                    |                        |      |   |                                |
|  |         |             | DESCR.                    |                        |      |   |                                |
| REV  | ECR     | DESCRIPTION | DATE                      | BY                     | CHKR | <b>STRAIGHT SERVICE FITTING<br/>LOW LEAD BRASS (MIP x PJ (IPS PVC))</b> | <b>PART NUMBER<br/>V15440N</b> |
| PER EST NO: DXXXX EST FIN WT = 0.00000 lbs |         |             |                           |                        |      |   |                                |

PART NUMBER  
 V15440N  
 442-MRKTG