

# MARKETING NEWS

New products and developments from the Leading Supplier of Water Distribution Products

## SA-Series Check Valve

The SA Series Check Valve attaches easily to the MJ shoe of any brand hydrant to protect against accidental or deliberate contamination of the water supply without affecting normal hydrant operation or maintenance.

A strong, ductile iron body with just one moving part makes this valve dependable and maintenance free.

Other features include:

- EPDM-encapsulated steel disc, reinforced with nylon fabric
- Inherent non-slam, quiet operation
- Bubble tight shut off, with as little as 5' head back pressure
- Swivel MJ gland on one end aids pipe or valve alignment
- Liquid thermosetting epoxy coated interior
- Universal primer enamel on exterior
- Stainless steel bolts
- Domed bonnet for easy inspection of flexible disc and seat



## Mueller Expands Check Valves Up to 48"

The Mueller® 8000 and 9000 Series Check Valves are self-contained, free-swinging, disc-style check valves available as outside lever and weight, or outside lever and spring. Designed for horizontal or vertical installations, the valves are suitable for use in wastewater, water, and sewage.

The check valves are produced in a cast iron body, bronze or stainless steel seat rings, Buna-N or EPDM disc inserts, and hinge pins of stainless steel.

Other features include:

- Sizes 3" thru 48"
- Larger sizes are available upon request



8001 Series Style Shown

- Lever and weight may be installed on either side
- Flanges conform to ANSI B16.1 Class 125
- Body and disc seat rings are field replaceable
- Meets AWWA C508 Standards
- Internal and external epoxy coating conforms to AWWA C550

## IPS PE x CTS transition

The Mueller H-12330 will enable end users to transition from IPS PE pipe to copper. This straight coupling, pack joint connection CTS O.D. Tubing x IPS PE connection is now available in ¾" & 1".



## Mueller® Maxi-Range™ Pipe Coupling

Mueller Maxi-Range Pipe Couplings connect any two pieces of pipe of similar nominal size without disassembly, or adapting end rings or transition gaskets. The Mueller Maxi-Range Pipe Coupling is rated at 250 psig (1724 kPa) and available in 2" through 12" sizes. Each coupling allows ±5 degrees of pipe deflection and accommodates normal pipe expansion and contraction. The exterior has a fluidized bed-applied Nylon 11 coating that provides protection during shipping,



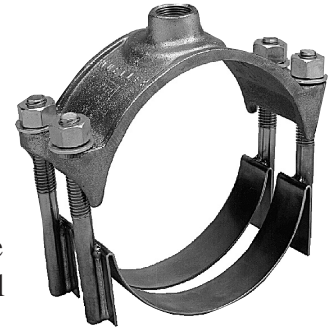
storage and installation. It also resists corrosion without the need for a separate wrapping.

Get the maximum with the minimum of inventory and installation time with the Mueller Maxi-Range Pipe Coupling.

Nominal Size	Bolt Qty.	Pipe
2"	2	Steel, AC, Cast Iron, IPS PVC
3"	3	Ductile Iron, AC, Steel, Cast Iron, IPS PVC
4"	4	Ductile Iron, C900 PVC, Cast Iron, Steel, AC, IPS PVC, Oversize Cast Iron, Rough Barrel AC
6"	4	Ductile Iron, Steel, C900 PVC, Cast Iron, IPS PVC, Oversize Cast Iron, Rough Barrel AC
8"	4	Ductile Iron, C900 PVC, AC, Steel, Cast Iron, IPS PVC, Oversize Cast Iron, Rough Barrel AC
10"	6	Ductile Iron, C900 PVC, AC, Steel, Cast Iron, IPS PVC, Oversize Cast Iron, Rough Barrel AC
12"	8	Ductile Iron, Steel, C900 PVC, Cast Iron, IPS PVC, Oversize Cast Iron, Rough Barrel AC

## Expanded Bronze Body Service Saddles: Wide O.D. Range Simplifies Inventory

Mueller has expanded the bronze body service saddle product line to include 18", 20" and 24". This NSF 61 approved service saddle is available with double stainless steel straps.



BR 2 S Series

## New Curb Box Lid: Tracer Wire Connection

Mueller has expanded the curb box product line to include a new 1-1/4" lid that includes a tracer wire connection.

## Mueller Service Brass Certified to NSF61

Did you know that more than 3,000 different Mueller Service Brass Products are now certified to NSF61? Additional brass service products are regularly submitted to Underwriters Laboratories (UL) to make sure each one meets the requirements of NSF61.

Ask your Mueller Sales Representative today about NSF61 certified service brass.

## News about New Mueller Brass Products

### Service Brass

*The following service fittings are now available:*

Part Number	Size	Description
H-15464	1"	Quarter Bend Insta-Tite® Couplings IPS PE
H-15404	1-1/4"	IPS PE pack joint coupling