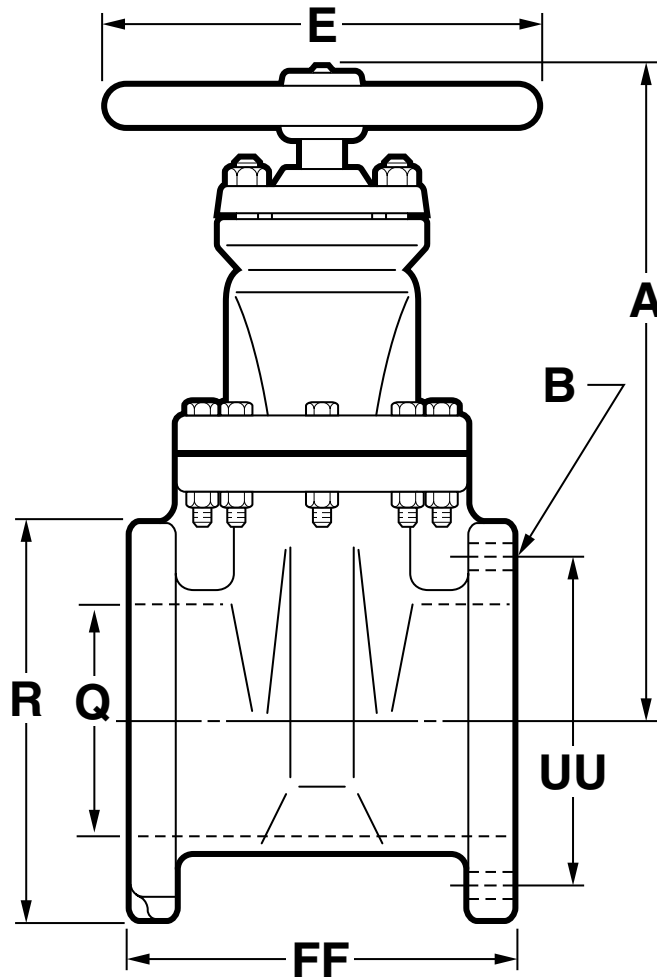


# 2"-12" A-2360 RESILIENT WEDGE GATE VALVE - FL. x FL.



## Dimensions

Dimension*	Nominal size							
	2"	2-1/2"	3"	4"	6"	8"	10"	12"
A	9.88	12.38	12.38	14.19	18.00	21.50	25.50	28.62
E	6.00	6.00	8.00	11.00	13.00	14.00	16.00	16.00
R	6.00	7.00	7.50	9.00	11.00	13.50	16.00	19.00
FF	7.00	7.50	8.00	9.00	10.50	11.50	13.00	14.00
Q (bore)	2.30	2.80	3.30	4.30	6.30	8.30	10.30	12.30
UU (bolt circle diameter)	4.75	5.50	6.00	7.50	9.50	11.75	14.25	17.00
B (number and size of holes)	4--.75	4--.75	4--.75	8--.75	8--.88	8--.88	12--1.00	12--1.00
Turns to open	8	11	11	14	20.5	26.5	33	38.5
Weight*	37	71	73	96	154	250	400	500

\*All dimensions are in inches. All weights are in pounds and are approximate.