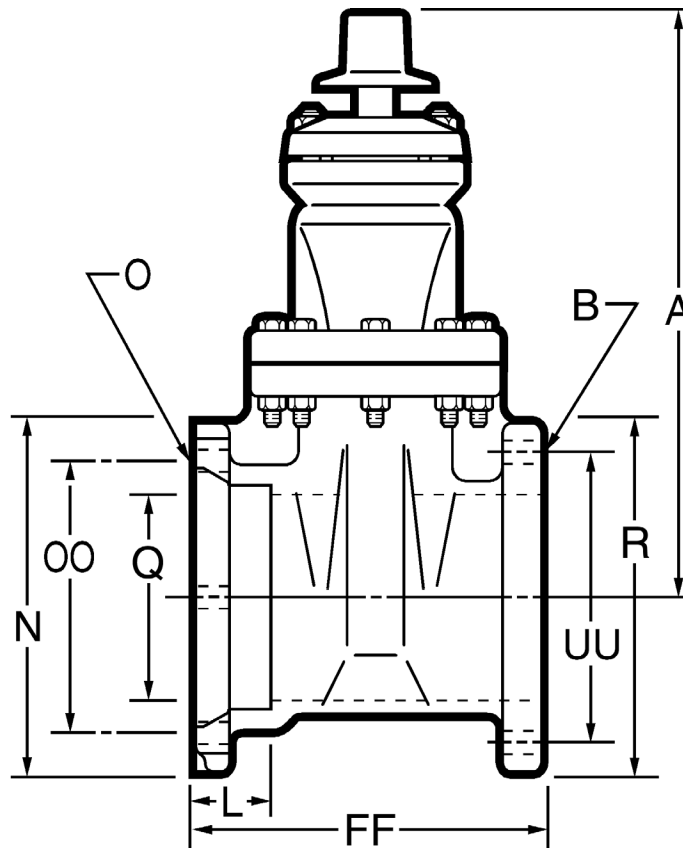


4"-12" A-2360 RESILIENT WEDGE GATE VALVE - M.J. x FL.



Dimensions

Dimension*	Nominal size				
	4"	6"	8"	10"	12"
A	14.19	18.00	21.50	25.50	28.62
L	2.50	2.50	2.50	2.50	2.50
N	9.12	11.12	13.37	15.62	17.88
O (number and size of holes for MJ)	4--.88	6--.88	6--.88	8--.88	8--.88
Q (bore)	4.30	6.30	8.30	10.30	12.30
OO (bolt circle diameter for MJ)	7.50	9.50	11.75	14.00	16.25
R	9.00	11.00	13.50	16.00	19.00
UU (bolt circle diameter for FL)	7.50	9.50	11.75	14.25	17.00
FF	9.50	11.00	12.00	13.88	14.44
B (number and size of holes for FL)	8--.75	8--.88	8--.88	12--1.00	12--1.00
Turns to open	14	20.5	26.5	33	38.5
Weight*	115	168	275	400	570

* All dimensions are in inches. All weights include accessories are in pounds and are approximate.