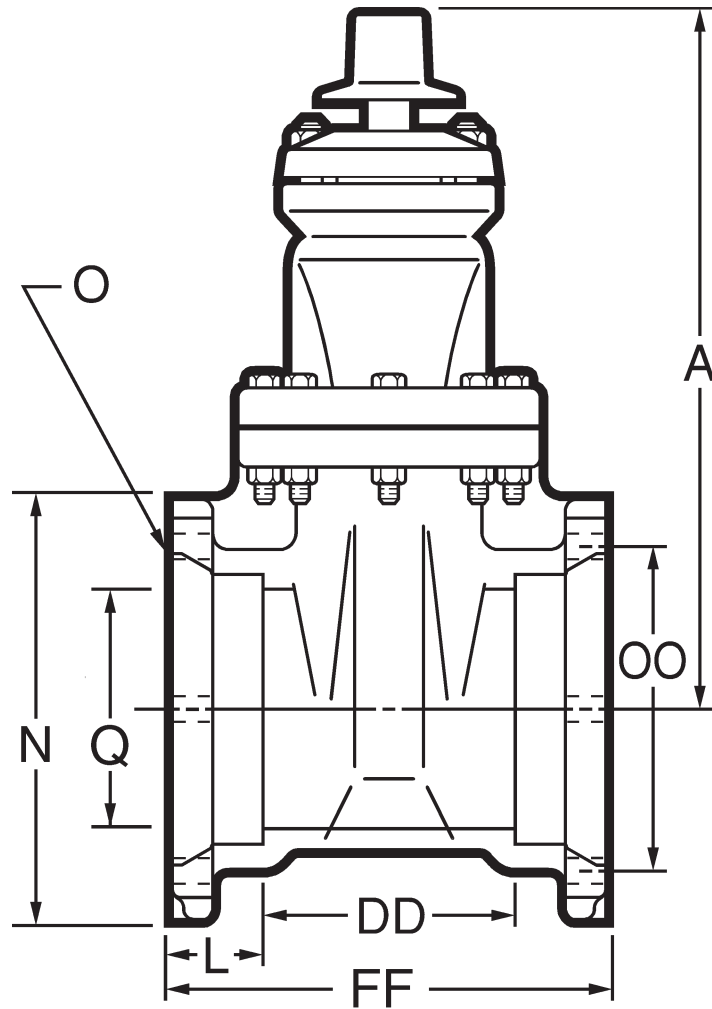


# 2"-12" A-2360 RESILIENT WEDGE GATE VALVE - M.J. x M.J.



## Dimensions

Dimension*	Nominal size						
	2"	3"	4"	6"	8"	10"	12"
A	9.88	12.38	14.19	18.00	21.50	25.50	28.62
FF	8.50	9.00	10.00	11.50	12.50	14.75	14.88
L	2.50	2.50	2.50	2.50	2.50	2.50	2.50
N	4.62	7.50	9.12	11.12	13.37	15.62	17.88
O (number and size of holes)	4--.88	4--.88	4--.88	6--.88	6--.88	8--.88	8--.88
DD	3.50	4.00	5.00	6.50	7.50	9.75	9.88
Q (bore)	2.30	3.30	4.30	6.30	8.30	10.30	12.30
OO (bolt circle diameter)	5.00	6.19	7.50	9.50	11.75	14.00	16.25
Turns to open	8	11	14	20.5	26.5	33	38.5
Weight*	40	83	120	186	280	405	540

\*All dimensions are in inches. All weights include accessories are in pounds and are approximate.