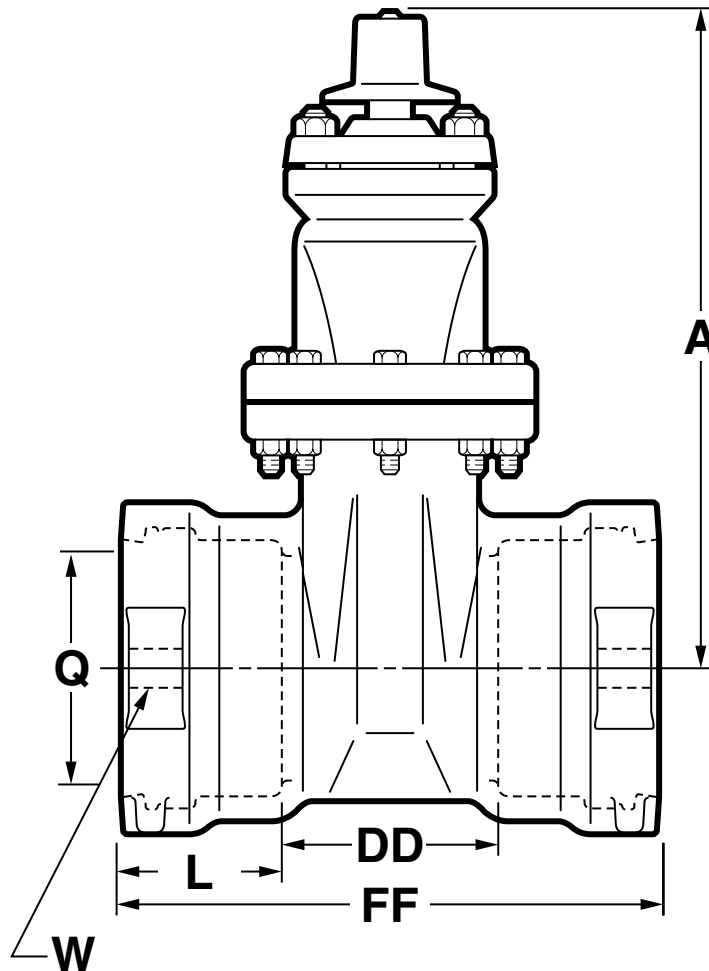


4"-12" A-2360 RESILIENT WEDGE GATE VALVE - SL. x SL.



Dimensions

Dimension*	Nominal size				
	4"	6"	8"	10"	12"
A	14.19	18.00	21.50	25.50	28.62
Q (bore)	4.30	6.30	8.30	10.30	12.30
W (distance between strapping lug holes across face of valve ends)	8.62	10.62	13.12	16.38	18.12
FF	12.81	14.81	17.88	18.43	18.62
L	4.12	4.38	5.62	5.62	5.62
DD	4.57	6.05	6.64	7.19	7.38
Turns to open	14	20.5	26.5	33	38.5
Weight*	90	165	260	400	565

*All dimensions are in inches. All weights are in pounds and are approximate.