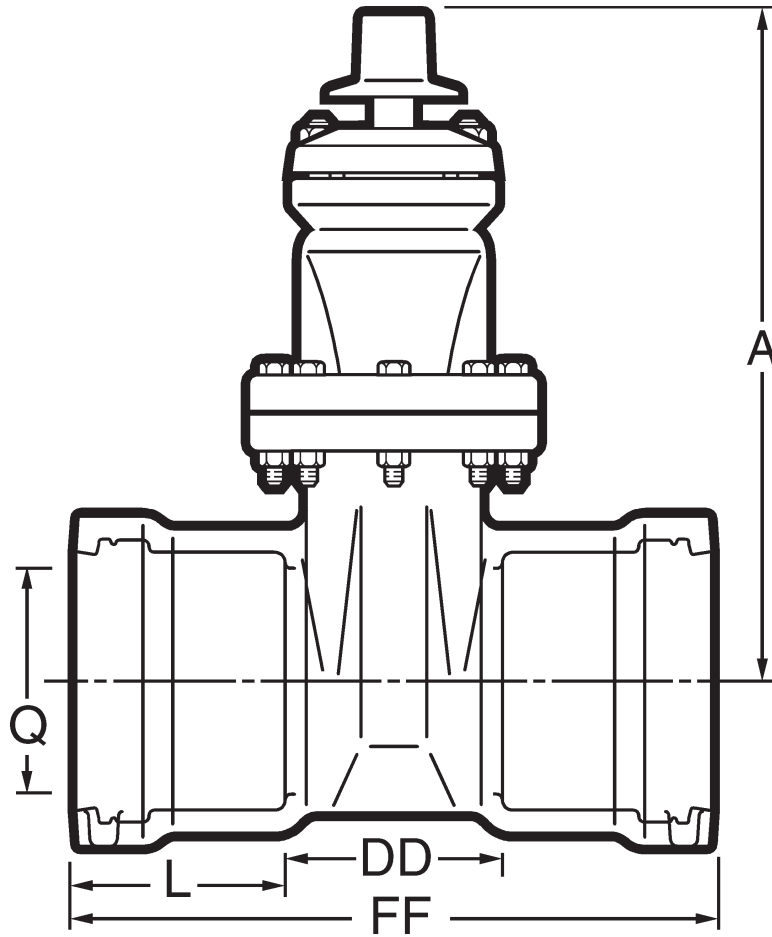


# 2"-8" A-2360 RESILIENT WEDGE GATE VALVE - RAD. x RAD.



## Dimensions

Dimension*	Nominal size					
	2"	2-1/2"	3"	4"	6"	8"
A	9.88	12.38	12.38	14.19	18.00	21.50
FF	10.25	10.75	11.75	13.43	15.91	18.40
L	3.50	3.69	4.12	4.46	5.46	6.20
Q (bore)	2.30	2.80	3.30	4.30	6.30	8.30
DD	3.25	3.37	3.51	4.51	4.99	6.00
Turns to open	8	11	11	14	20.5	26.5
Weight*	35	65	67	96	155	260

\*All dimensions are in inches. All weights are in pounds and are approximate.