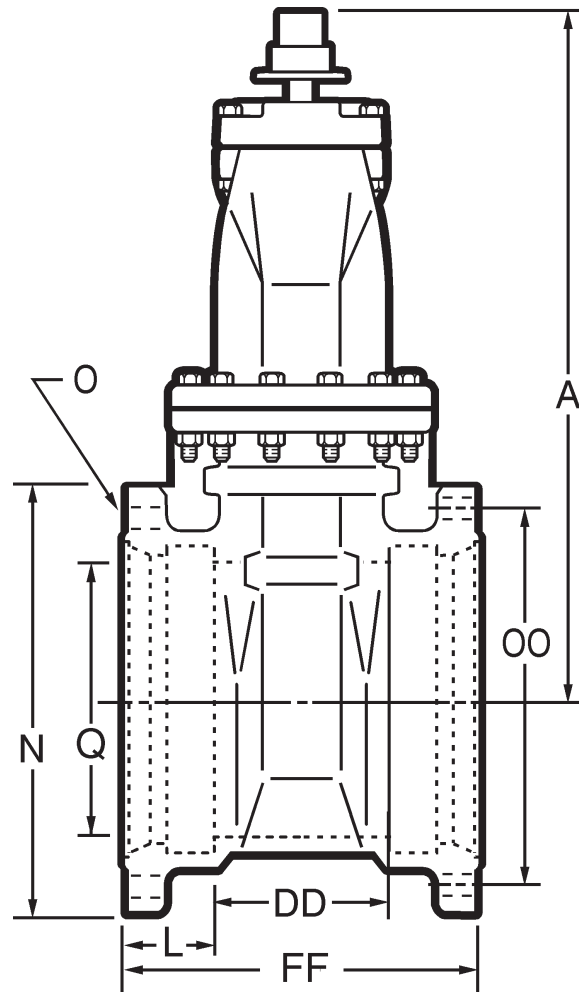


14"-48" A-2361 D.I. RESILIENT WEDGE GATE VALVE - M.J. x M.J.



Dimensions

Dimension*	Nominal size								
	14"	16"	18"	20"	24"	30"†	36"†	42"†	48"†
A	32.75	37.88	44.19	48.25	53.88	See A for Spur or Bevel Gear			
FF	19.75	19.75	21.00	21.50	23.50	33.50	37.50	42.75	45.00
L	3.50	3.50	3.50	3.50	3.50	4.00	4.00	4.00	4.00
N	20.25	22.56	24.76	27.01	31.51	39.53	46.41	53.53	60.41
O (number and size of holes)	10--.88	12--.88	12--.88	14--.88	16--.88	20--1.125	24--1.125	28--1.38	32--1.38
Q (bore)	14.38	16.00	18.38	20.38	24.38	30.38	36.38	42.38	48.38
OO (bolt circle diameter)	18.75	21.00	23.25	25.50	30.00	36.88	43.75	50.62	57.50
A - Spur Gear	38.50	43.58	49.41	53.01	59.51	70.81	83.08	97.84	109.70
A - Bevel Gear**	34.00	37.38	44.50	47.69	54.06	64.93	77.19	90.75	102.61
Turns to open (without gearing)	43.5	49	57	63	75	-	-	-	-
Turns to open (Spur gearing)	178	201	234	258	308	381	455	524	596
Turns to open (Bevel gearing)	196	221	257††	284††	338††	372	444	524	596
Weight*	650	931	1222	1494	2352	5100	8400	13300	19700

*All dimensions are in inches. All weights are in pounds and are approximate. Weights for 30"-48" valves are with gearing; for all others without gearing.

**Center line of operating nut to center line of valve.

†Spur or Bevel Gear must be used with 30", 36", 42", 48" valves.

††Turns shown for Master Gear bevel gearing. Valves with Limitorque bevel gearing: 18" - 227, 20" - 251, 24" - 300".