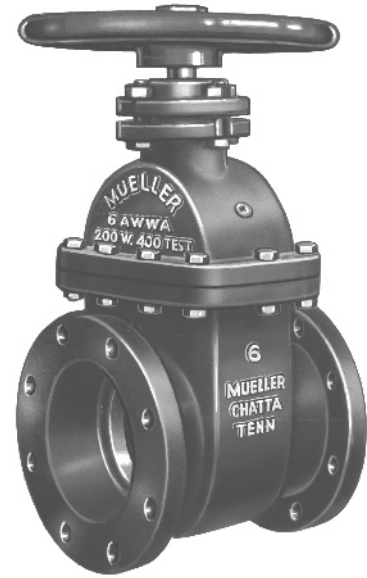


Rev. 2-06

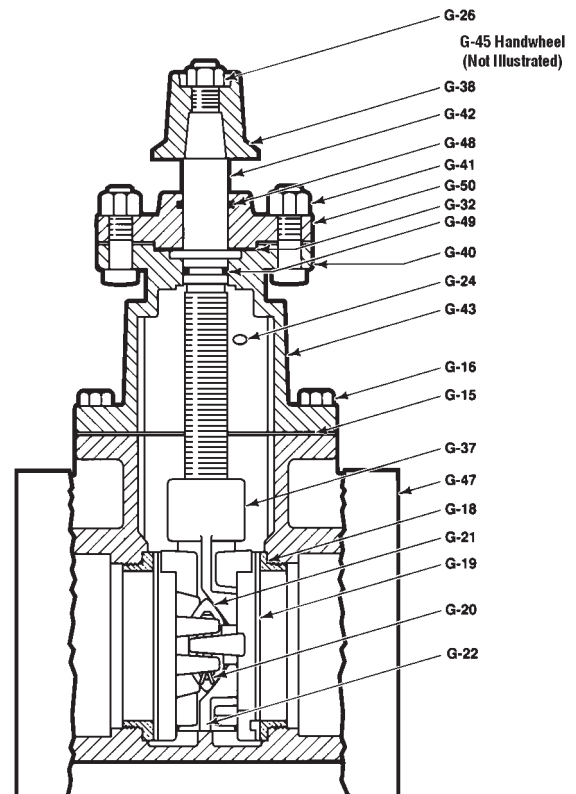
- ❑ Catalog number—  
**A-2380-6** flanged ends
- ❑ Sizes - 14", 16", 18", 20", 24", 30", 36"
- ❑ Meets or exceeds all applicable requirements of ANSI/AWWA C500 Standard
- ❑ Flange ends comply with ANSI B16.1, Class 125
- ❑ Iron body - bronze mounted
- ❑ Double disc parallel seat with four point wedging mechanism
- ❑ Non-rising stem (NRS)
- ❑ O-ring sealed stuffing box
- ❑ With handwheel (2" square wrench nut optional)
- ❑ 150 psig (1034 kPa) maximum working pressure, 300 psig (2068 kPa) test pressure



**A-2380-6**

## Double-disc gate valve parts

Catalog Part No.	Description	Material	Material standard
G-15	Bonnet gasket	Composition	ASTM D1170
G-16	Bonnet bolts & nuts	Steel	ANSI B18.2 plated
G-18	Seat ring	Bronze	ASTM B62
G-19	Disc and disc ring	Cast iron *	ASTM A126 CL.B
G-20	Disc pin	Bronze	ASTM B21
G-21	Side spreader	Bronze	ASTM B62
G-22	Bottom wedge	Cast iron	ASTM A126 CL.B
G-24	Test plug	Iron	
G-26	Nut for wrench nut	Steel	ANSI B18.2 plated
G-32	Stuffing box gasket	Fiber	
G-37	Top wedge nut	Cast iron *	ASTM A126 CL.B
G-38	Wrench nut	Cast iron	ASTM A126 CL.B
G-41	Stuffing box bolt & nut	Steel	ANSI B18.2 plated
G-42	Stem	Bronze	ASTM B138**
G-43	Bonnet	Cast iron	ASTM A126 CL.B
G-45	Hand wheel	Cast iron	ASTM A126 CL.B
G-47	Body	Cast iron	ASTM A126 CL.B
G-48	Stuffing box O-ring	Rubber	
G-49	Stem O-ring	Rubber	
G-50	Stuffing Box	Cast Iron	ASTM A126 CL.B



\* Cast iron discs with rolled-in bronze facings; cast iron top wedge nut with integrally cast bronze bushing.

\*\*18" - 36" ASTM B584