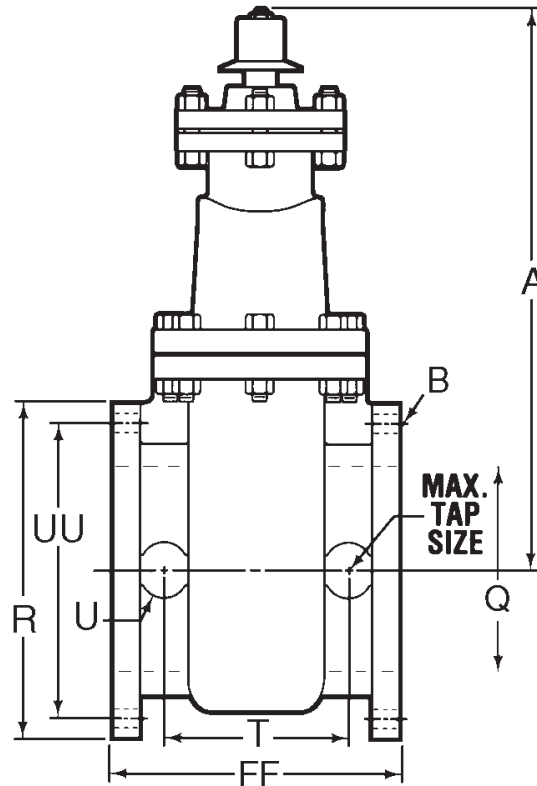


14"-36" DOUBLE-DISC NRS GATE VALVE - FL. x FL.



Dimension*	Nominal Size						
	14"	16"	18"	20"	24"	30"	36"
A	34.12	39.00	43.00	47.50	55.75	66.50	**
Q (bore)	14.00	16.00	18.00	20.00	24.00	30.00	36.00
FF	15.00	20.25	22.00	22.25	25.50	28.75	32.00
R	21.00	23.50	25.00	27.50	32.00	38.75	46.00
T	9.00	N/A	N/A	N/A	N/A	N/A	N/A
U	3.00	N/A	N/A	N/A	N/A	N/A	N/A
UU (bolt circle diameter)	18.75	21.25	22.75	25.00	29.50	36.00	42.75
B (number and size of holes)	12--1-1/8	16--1-1/8	16--1-1/4	20--1-1/4	20--1-3/8	28--1-3/8	32--1-5/8
Max. tap size	2	N/A	N/A	N/A	N/A	N/A	N/A
Turns to open	46	53	59	65	77	65	78

*All dimensions are in inches. All weights are in pounds and are approximate.

**36" valves sold only with gear operators, dimension depends on style of operator selected. Contact Customer Service for Dimension.

Options

See pages 10.40 and 10.41 for more information on Gate Valve options.

- Bevel gearing with grease case
- Spur gearing with grease case
- Tracks, rollers, scrapers
- Position indicators
- ASTM B98-C66100/H02 stem and disc pins
ASTM B763-C99500 Stem 18" - 36"
- NRS by-pass valve
- 2" Square wrench nut
- MUELLER HP® Epoxy Coating
- Stainless steel fasteners