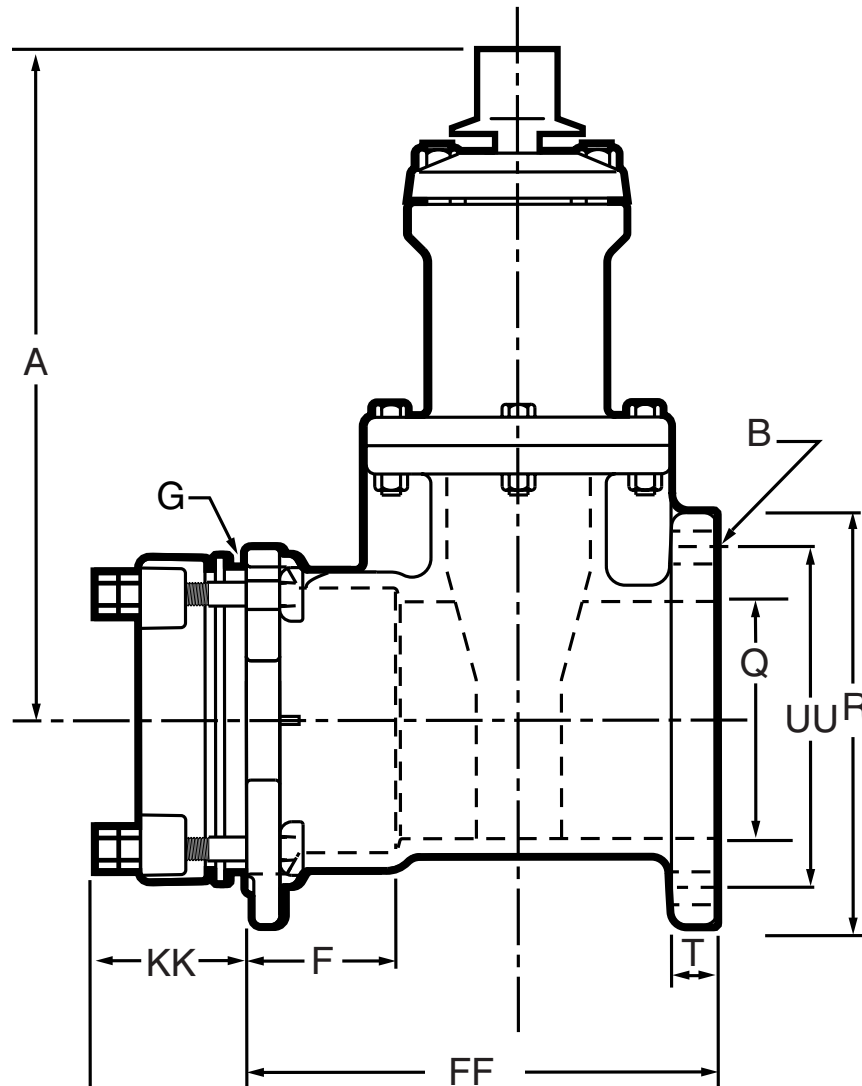


4"-12" A-2361 RESILIENT WEDGE GATE VALVE WITH AQUA-GRIP™ x FL. ENDS

Mueller Co.

10.5

Rev. 2-06



Dimensions

Dimension*	Nominal size				
	4"	6"	8"	10"	12"
A	14.19	18.00	21.50	25.50	28.62
B (number and size of holes for FL)	8--.88	8--.88	8--.88	12--1.00	12--1.00
F	3.70	3.70	3.70	3.89	3.89
G (number and size of holes for Aqua-Grip)	4--.88	4--.88	6--.88	8--.88	8--.88
T	.78	.93	.93	1.06	1.00
R	9.00	11.00	13.50	16.00	19.00
Q (Bore)	4.30	6.30	8.30	10.30	12.30
FF	10.84	12.81	14.22	15.53	16.45
KK	2.75	3.75	3.75	3.75	3.75
UU (bolt circle diameter for FL)	7.50	9.50	11.75	14.25	17.00
Turns to open	14	20.5	26.5	33.0	38.5
Weight*	107	149	225	365	450

*All dimensions are in inches. All weights are in approximate pounds.