

# 10.8



# 4"-12" A-2361 RESILIENT WEDGE GATE VALVE WITH AQUA-GRIP™ x MJ. ENDS

Rev. 2-06 Shaded area indicates change.

- Catalog number–  
**A-2361-78** Aqua-Grip ends x mechanical joint for DIPS pipe in sizes 4", 6", 8", 10", 12"  
**A-2361-88** Aqua-Grip ends x mechanical joint for IPS pipe in sizes 4", 6", 8"
- Meets or exceeds all applicable requirements of ANSI/AWWA C515 Standard, UL Listed, FM Approved, and certified to ANSI/NSF 61.
- Ductile Iron body and bonnet with nominal 10 mils MUELLER® Pro-Gard™ Fusion Epoxy Coated interior and exterior surfaces.
- Epoxy coating meets or exceeds all applicable requirements of ANSI/AWWA C550 Standard and is certified to ANSI/NSF 61.
- Iron wedge, symmetrical & fully encapsulated with molded rubber;  
no exposed iron.
- Non-rising stem (NRS)
- Triple O-ring seal stuffing box (2 upper & 1 lower O-rings), with fourth O-ring serving as dirt seal
- 2" square wrench nut (optional handwheel available) – open left or open right
- 250 psig (1723 kPa) maximum working pressure, 500 psig (3447 kPa) static test pressure
- UL Listed, FM Approved – 200 psig (1379 kPa)



**A-2361-78**

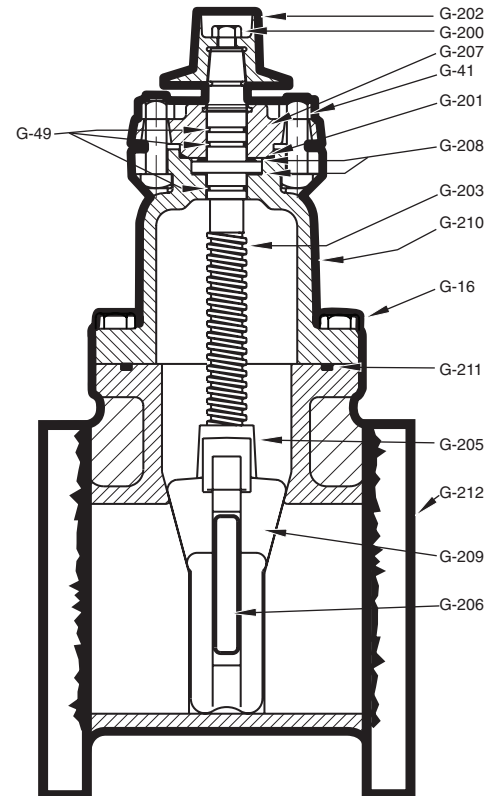
### Options

See page 10.40 for more information on Resilient Wedge Gate Valve options

- Position indicators
- ASTM B98-C66100/H02 stem
- Stainless steel fasteners: Type 316
- Handwheel

### Resilient wedge gate valve parts

Catalog Part No.	Description	Material	Material standard
G-16	Bonnet Bolts & Nuts	Stainless Steel	Type 304
G-41	Stuffing Box Bolts & Nuts	Stainless Steel	Type 304
G-49	Stem O-rings (3)	Rubber	
G-200	Wrench Nut Cap Screw	Stainless Steel	Type 304
G-201	Stuffing Box O-ring	Rubber	
G-202	Wrench Nut	Cast Iron	ASTM A126 CL.B
G-203	Stem	Bronze	ASTM B138
G-204	Hand Wheel (not shown)	Cast Iron	ASTM A126 CL.B
G-205	Stem Nut	Bronze	ASTM B62
G-206	Guide Cap Bearings	Celcon	
G-207	Stuffing Box with dirt seal	Cast iron Rubber	ASTM A126 CL.B --
G-208	Anti-friction Washers (2)	Celcon	
G-209	Wedge, Rubber Encapsulation	Cast Iron* SBR	ASTM A126 CL.B --
G-210	Bonnet	Ductile Iron	ASTM A536 Grade 65-45-12
G-211	Bonnet O-ring	Rubber	
G-212	Body	Ductile Iron	ASTM A536 Grade 65-45-12
G-213	Double O-ring**	Rubber	
G-214	Intermediate ring**	Ductile Iron	ASTM A536 Grade 65-45-12
G-215	Gripper ring**	Ductile Iron	ASTM A536 Grade 65-45-12
G-216	End ring**	Ductile Iron	ASTM A536 Grade 65-45-12
G-217	Breakaway nut w/washer***	Steel	
G-218	T-head Bolt***	Steel	



\*Fully encapsulated in molded rubber with no iron exposed.

\*\*Parts for Aqua-Grip connection not shown – one required for each Aqua-Grip connection.

\*\*\*Not shown. See dimension drawing on next page for number require for each size Aqua-Grip connection.

**SEE PAGE 10.43 FOR ORDERING INSTRUCTIONS**