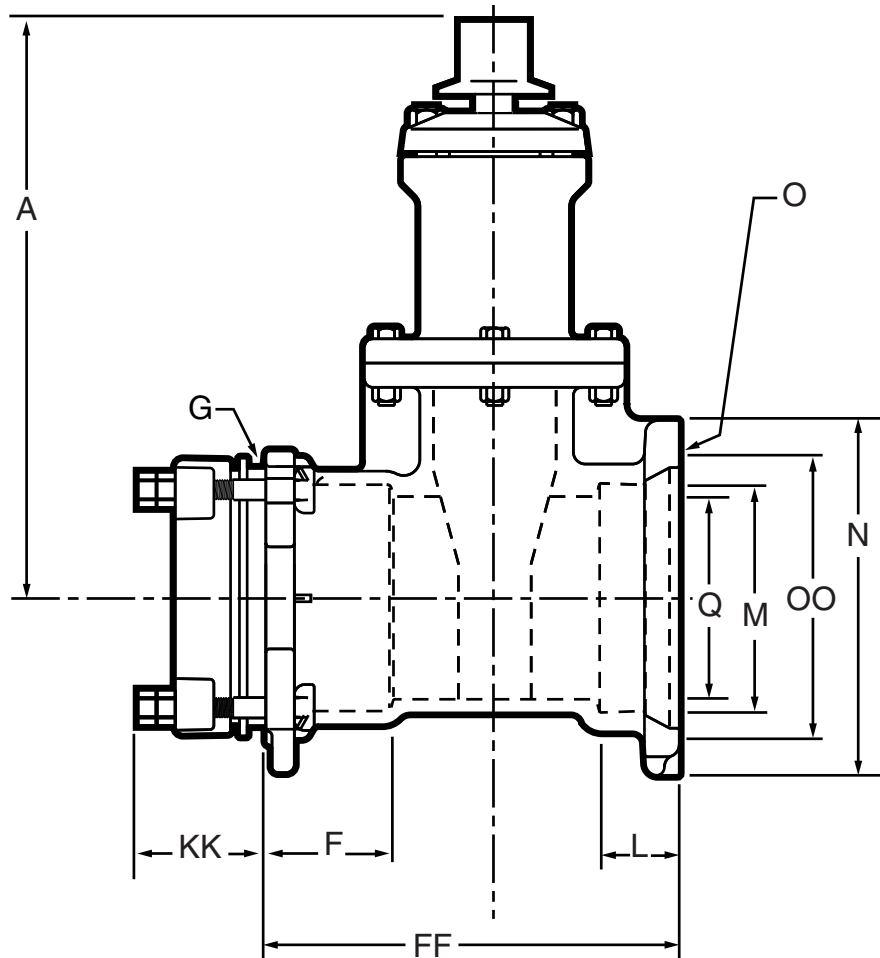


4"-12" A-2361 RESILIENT WEDGE GATE VALVE WITH AQUA-GRIP™ x MJ. ENDS

Mueller Co.

10.9

Rev. 2-06



Dimensions

Dimension*	Nominal size					
	4"	6"	8"	10"	12"	
A	14.19	18.00	21.50	25.50	28.62	
F	3.70	3.70	3.70	3.89	3.89	
G (number and size of holes for Aqua-Grip)	4--.88	4--.88	6--.88	8--.88	8--.88	
L	2.50	2.50	2.50	2.50	2.50	
M	4.90	7.00	9.15	11.20	13.30	
N	9.12	11.12	13.37	15.62	17.88	
O (number and size of holes for MJ)	4--.88	6--.88	6--.88	8--.88	8--.88	
FF	11.34	13.31	14.72	16.41	16.89	
Q	4.30	6.30	8.30	10.30	12.30	
KK	2.75	3.75	3.75	3.75	3.75	
OO (bolt circle diameter for MJ)	7.50	9.50	11.75	14.00	16.25	
Turns to open	14	20.5	26.5	33.0	38.5	
Weight*	108	169	294	395	565	

*All dimensions are in inches. All weights are in approximate pounds.