

MUELLER ORISEAL III Curb Valve

- ❑ MANUFACTURED AND TESTED - to ANSI/AWWA C800 standard.
- ❑ HEAVY BRASS COMPONENTS constructed of 85-5-5-5 ASTM B62 brass for strength and durability.
- ❑ END CONNECTIONS include copper flare, MUELLER 110® Compression Connection, MUELLER INSTA-TITE Connection, and F.I.P.

thread.

- ❑ INTEGRAL TEE HEAD AND PLUG for solid one-piece

design also available.

- ❑ LOW FRICTION THRUST WASHER reduces friction for easy

ing parts.

- ❑ 175 PSIG maximum working pressure.



- ❑ TOP O-RING provides pressure sealing to outside.

- ❑ PORT O-RING provides effective sealing regardless of flow direction.

- ❑ FULL ROUND PORT OPENING for maximum flow

strength.

turning.

- ❑ HIGH STRENGTH INTEGRAL CHECKS assure positive quarter turn operation. Checkless 360° turn

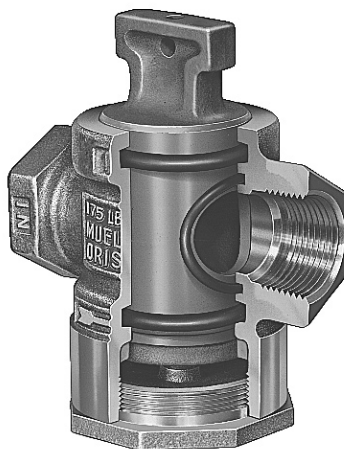
- ❑ CLOSED BOTTOM minimizes exposed mov-

and minimum pressure loss.

MUELLER ORISEAL Curb Valve

- ❑ HEAVY BRASS COMPONENTS constructed of 85-5-5-5 ASTM B62 brass for strength and durability.
- ❑ MANUFACTURED AND TESTED - to ANSI/AWWA C800 standard.
- ❑ END CONNECTIONS include copper flare and F.I.P. thread.
- ❑ HIGH STRENGTH IN-

TEGRAL CHECKS assure positive quarter turn operation.



- ❑ INTEGRAL TEE HEAD AND PLUG - for solid one-piece strength.

- ❑ FLUOROCARBON COATED PLUG - assures easy turning.

- ❑ TOP AND BOTTOM O-RINGS - for positive pressure seal-

ing, easy turning.

- ❑ 175 PSIG - maximum working pressure.

- ❑ PORT O-RING assures positive shut-off and easy turning.

- ❑ FULL OPENING