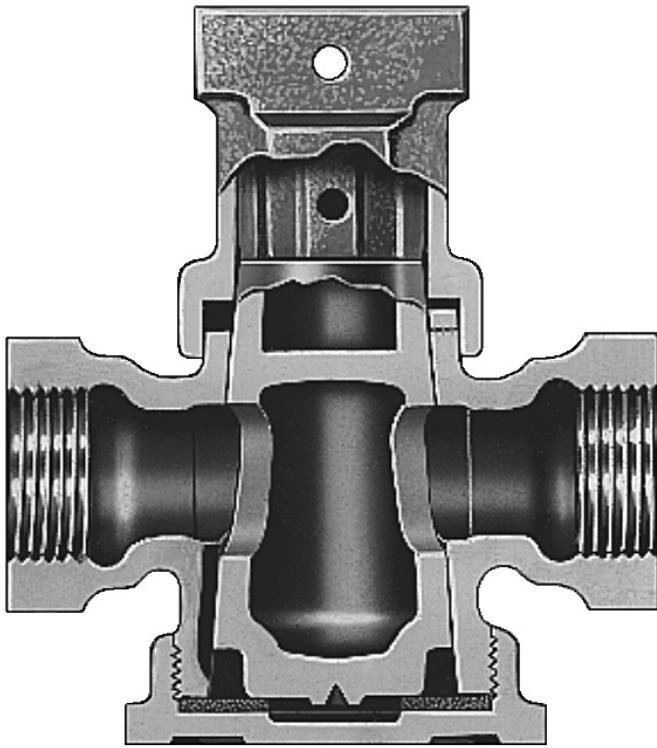


## MUELLER® Inverted Key Curb Valve



- ❑ Strong operating head to key attachment.
- ❑ Heavy brass components constructed of 85-5-5-5 ASTM B62 brass for strength and durability.
- ❑ Manufactured and tested in accordance with ANSI/AWWA C800 standard.
- ❑ Strong checks provide positive quarter turn operation.
- ❑ End connections include copper flare connection, MUELLER 110® Compression Connection, Pack Joint Connection and F.I.P. thread.
- ❑ Elongated round way port.
- ❑ 100 psig (690 kPa) maximum working pressure (through 1" size).

As the name implies, the large diameter of the Inverted key is on the bottom. The key is held in place by a bronze base cap. Water pressure from the inlet side of the body exerts an upward force on the bottom of the key, providing additional seating action. The stop is operated by tapping on the combined cap and tee head to unseat the key; the water pressure will reseat the key.

## MUELLER Solid Tee Head Curb



- ❑ Key nut is designed so overtightening will strip threads instead of breaking stem.
- ❑ Heavy brass components constructed of 85-5-5-5 ASTM B62 brass for strength and durability.
- ❑ Manufactured and tested in accordance with ANSI/AWWA C800 standard.
- ❑ 100 psig (690 kPa) maximum working pressure through 1" size - (larger valves rated 80 psig, 552 kPa, maximum working pressure).