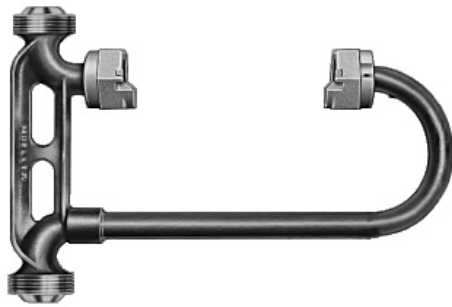
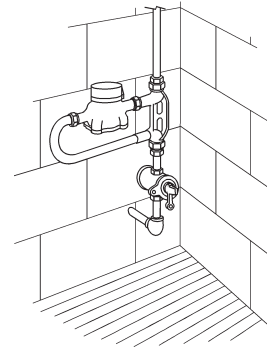


Rev. 8-04

8A - COPPER YOKES



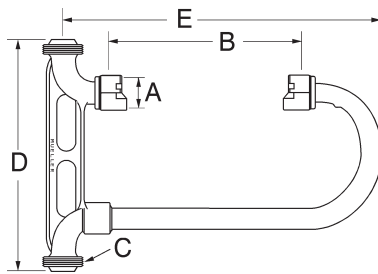
Multi-purpose thread ends (H-1413 shown)



Typical installation of a corner type copper meter yoke with vertical inlet and outlet

Copper meter yokes - corner type with vertical inlet and outlet, and Multi-purpose thread ends

Catalog number	H-1413
Description	Plain yoke



Dimensions

Meter size	5/8"	5/8" x 3/4"
Nominal size of I.P. thread in meter nut	3/4"	1"
Dimension A	1-1/16"	1-5/16"
Dimension B	7-7/8"	7-7/8"
Dimension C - nominal pipe size of inlet and outlet	3/4"	3/4"
Dimension D	8-5/16"	8-5/16"
Dimension E	13-1/16"	13-1/2"

Copper Meter Yokes are normally supplied less end connections. See pages 8A.48 and 8A.49 for end connections that can be used with these yokes.

SPECIFY METER SIZE AND CATALOG NUMBER.