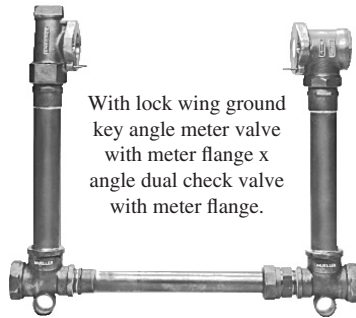


With lock wing ground key angle meter valve with meter flange x 90° meter flange elbow.

H-1422

FIP end inlets and outlets



With lock wing ground key angle meter valve with meter flange x angle dual check valve with meter flange.

H-1422-2

FIP end inlets and outlets



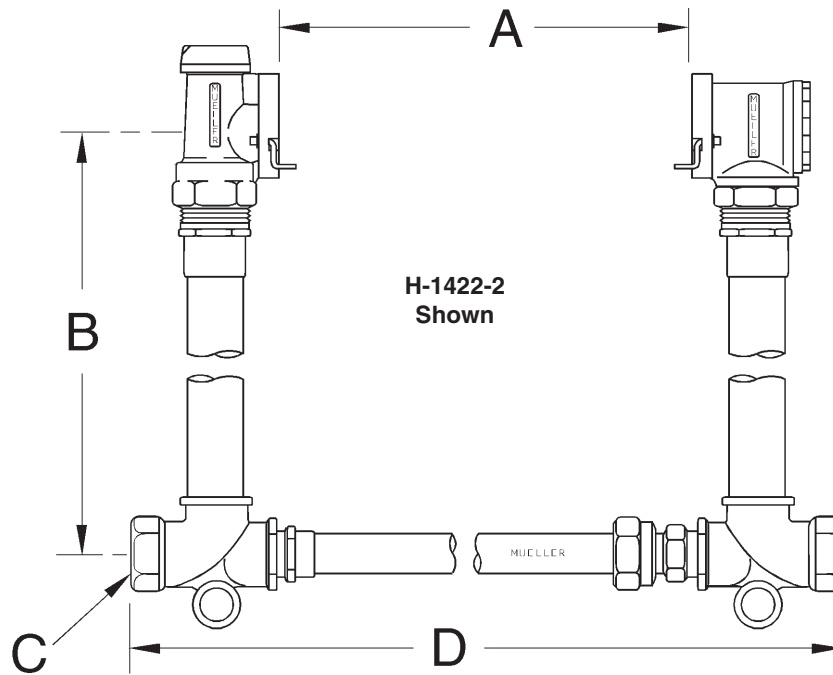
With lock wing ground key angle meter valve with meter flange x lock wing ground key angle meter valve with meter flange.

H-1422-00

FIP end inlets and outlets

1-1/2" and 2" Copper meter setters

Catalog number	H-1422	H-1422-2	H-1422-00
Description	With lock wing ground key angle meter valve with meter flange x 90° meter flange elbow.	With lock wing ground key angle meter valve with meter flange x angle dual check valve with meter flange.	With lock wing ground key angle meter valve with meter flange x lock wing ground key angle meter valve with meter flange.



Dimensions

Meter size	1-1/2"	2"
Dimension A*	13.25"	17.25"
Dimension B - riser height	12", 15", 18", 21", 24", 27"	12", 15", 18", 21", 24", 27"
Dimension C - nominal pipe size of inlet and outlet	1-1/2"	2"
Dimension D*	21.50"	26.63"

*Adjustable dimension. Copper tubing in the tie bar can be cut to accommodate shorter meters. Adjustment affects both A and D dimensions.

See section 6 for end connections that can be used with these yokes.

SPECIFY METER SIZE, RISER HEIGHT AND CATALOG NUMBER.