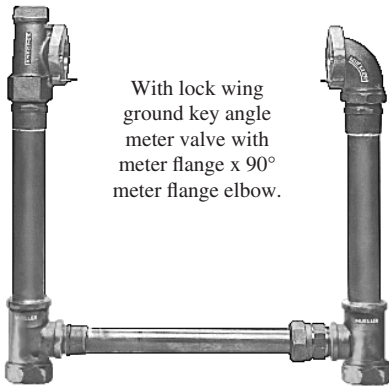


# 8A.36 **Mueller Co.**

Rev. 8-04

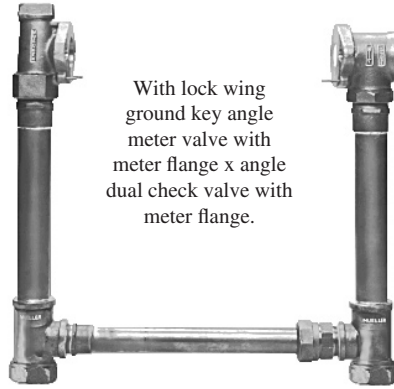
## METER SETTERS WITH VERTICAL INLET & OUTLET (FOR 1-1/2" & 2" FLANGED METERS)

**8A - COPPER YOKES**



With lock wing ground key angle meter valve with meter flange x 90° meter flange elbow.

FIP end inlets and outlets **H-1426**



With lock wing ground key angle meter valve with meter flange x angle dual check valve with meter flange.

FIP end inlets and outlets **H-1426-2**



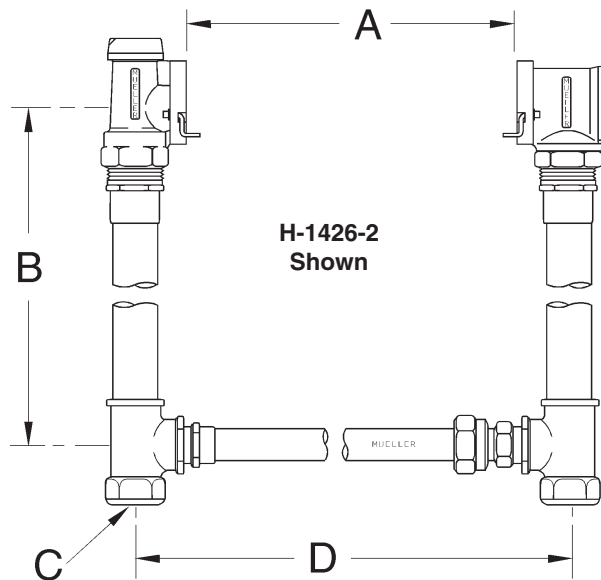
With lock wing ground key angle meter valve with meter flange x lock wing ground key angle meter valve with meter flange.

FIP end inlets and outlets **H-1426-00**

### 1-1/2" and 2" Copper meter setters

Catalog number	H-1426	H-1426-2 *	H-1426-00
Description	With lock wing ground key angle meter valve with meter flange x 90° meter flange elbow.	With lock wing ground key angle meter valve with meter flange x angle dual check valve with meter flange.	With lock wing ground key angle meter valve with meter flange x lock wing ground key angle meter valve with meter flange.

\*For ASSE Approved canister dual check - add 6A for regular or 6D for drain



### Dimensions

Meter size	1-1/2"	2"
Dimension A	13.25"	17.25"
Dimension B - riser height	12", 15", 18", 21", 24", 27"	12", 15", 18", 21", 24", 27"
Dimension C - nominal pipe size of inlet and outlet	1-1/2"	2"
Dimension D	17.625"	21.625"

Contact MUELLER® Customer Service Center for ordering requirements and availability.

See section 6 for end connections that can be used with these yokes.

**SPECIFY METER SIZE, RISER HEIGHT AND CATALOG NUMBER.**