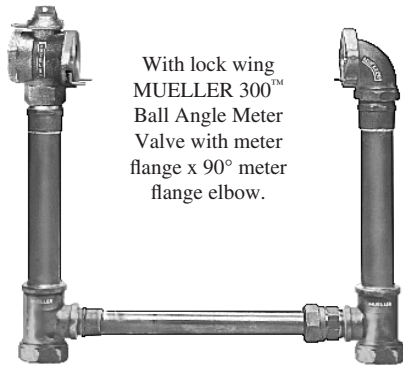


METER SETTERS WITH VERTICAL INLET & OUTLET (FOR 1-1/2" & 2" FLANGED METERS)

Mueller Co. **8A.37**

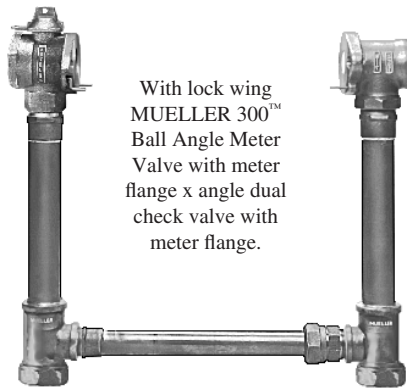
Rev. 8-04

8A - COPPER YOKES



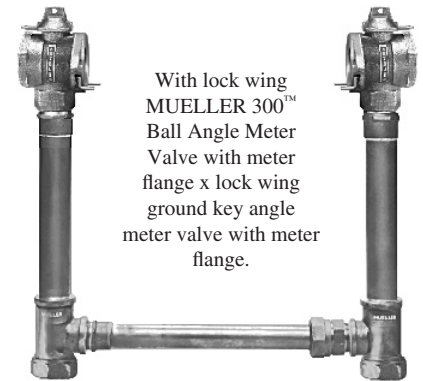
With lock wing MUELLER 300™ Ball Angle Meter Valve with meter flange x 90° meter flange elbow.

FIP end inlets and outlets **B-2426**



With lock wing MUELLER 300™ Ball Angle Meter Valve with meter flange x angle dual check valve with meter flange.

FIP end inlets and outlets **B-2426-2**



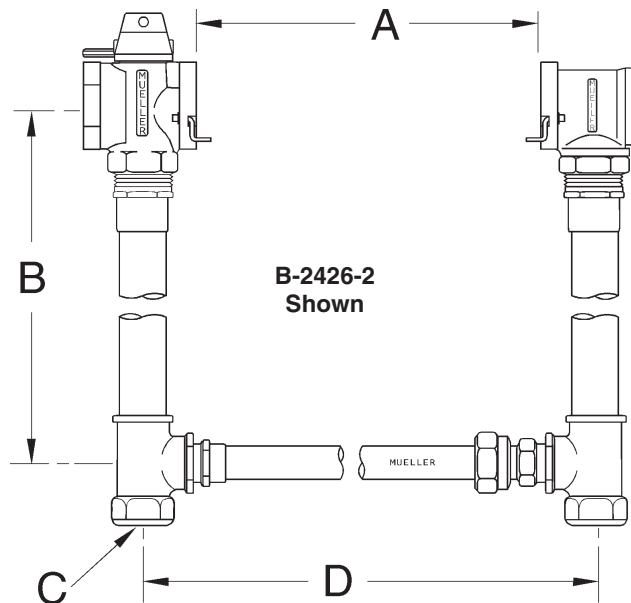
With lock wing MUELLER 300™ Ball Angle Meter Valve with meter flange x lock wing ground key angle meter valve with meter flange.

FIP end inlets and outlets **B-2426-00**

1-1/2" and 2" Copper meter setters

Catalog number	B-2426	B-2426-2*	B-2426-00
Description	With lock wing MUELLER 300™ Ball Angle Meter Valve x 90° meter flange elbow.	With lock wing MUELLER 300™ Ball Angle Meter Valve x angle dual check valve with meter flange.	With lock wing MUELLER 300™ Ball Angle Meter Valve x lock wing MUELLER 300 Ball Angle Meter Valve.

*For ASSE Approved canister dual check - add 6A for regular or 6D for drain



Dimensions

Meter size	1-1/2"	2"
Dimension A	13.25"	17.25"
Dimension B - riser height	12", 15", 18", 21", 24", 27"	12", 15", 18", 21", 24", 27"
Dimension C - nominal pipe size of inlet and outlet	1-1/2"	2"
Dimension D	17.625"	21.625"

Contact MUELLER® Customer Service Center for ordering requirements and availability.
See section 6 for end connections that can be used with these yokes.

SPECIFY METER SIZE, RISER HEIGHT AND CATALOG NUMBER.