

Rev. 8-04

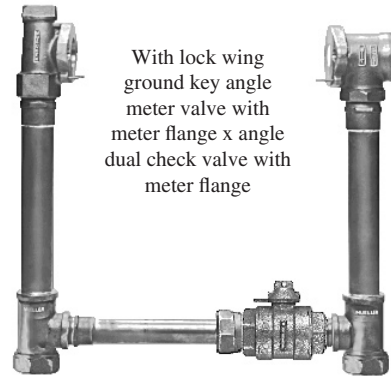
8A - COPPER YOKES



With lock wing ground key angle meter valve with meter flange x lock wing ground key angle meter with meter flange valve with meter flange

**H-1427**

FIP end inlets and outlets



With lock wing ground key angle meter valve with meter flange x angle dual check valve with meter flange

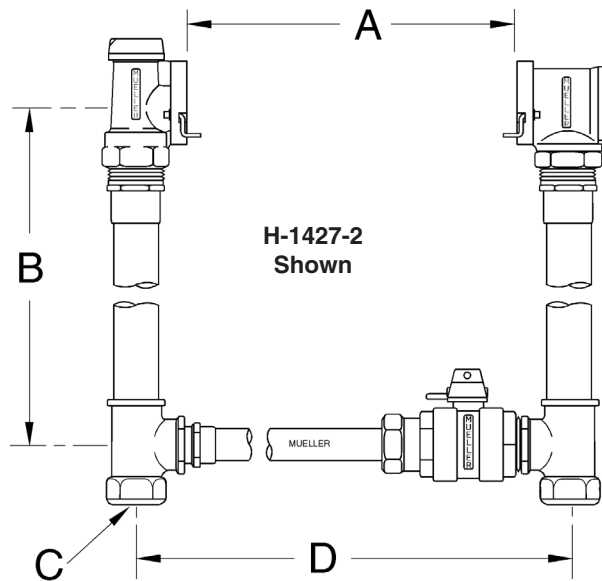
**H-1427-2**

FIP end inlets and outlets

### 1-1/2" and 2" Copper meter setters (with bypass)\*

Catalog number	H-1427	H-1427-2
Description	With lock wing ground key angle meter valve with meter flange x lock wing ground key angle meter valve with meter flange. By-pass with lock wing Mueller 300™ Ball Valve.	With lock wing ground key angle meter valve with meter flange x angle dual check valve with meter flange. By-pass with lock wing Mueller 300™ Ball Valve.

\*For ASSE Approved canister dual check - add 6A for regular or 6D for drain



### Dimensions

Meter size	1-1/2"	2"
Dimension A	13.25"	17.25"
Dimension B - riser height	12", 15", 18", 21", 24", 27"	12", 15", 18", 21", 24", 27"
Dimension C - nominal pipe size of inlet and outlet	1-1/2"	2"
Dimension D	17.625"	21.625"

Contact MUELLER® Customer Service Center for ordering requirements and availability.

See section 6 for end connections that can be used with these yokes.

**SPECIFY METER SIZE, RISER HEIGHT AND CATALOG NUMBER.**