

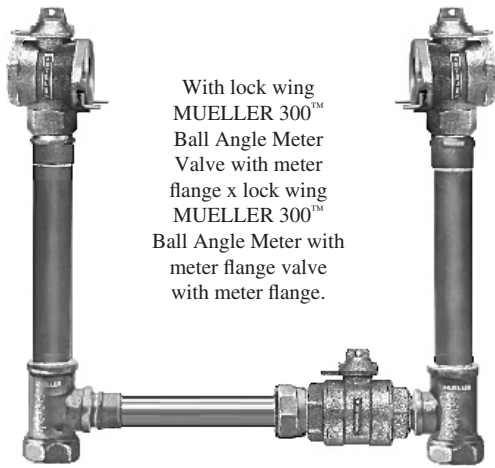
# METER SETTERS WITH VERTICAL INLET & OUTLET (FOR 1-1/2" & 2" FLANGED METERS) AND BYPASS

**Mueller Co.**

# 8A.39

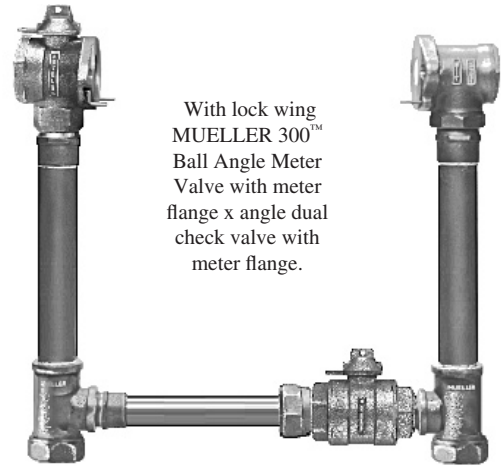
Rev. 8-04

**8A - COPPER YOKES**



With lock wing  
MUELLER 300™  
Ball Angle Meter  
Valve with meter  
flange x lock wing  
MUELLER 300™  
Ball Angle Meter with  
meter flange valve  
with meter flange.

**B-2427**



With lock wing  
MUELLER 300™  
Ball Angle Meter  
Valve with meter  
flange x angle dual  
check valve with  
meter flange.

**B-2427-2**

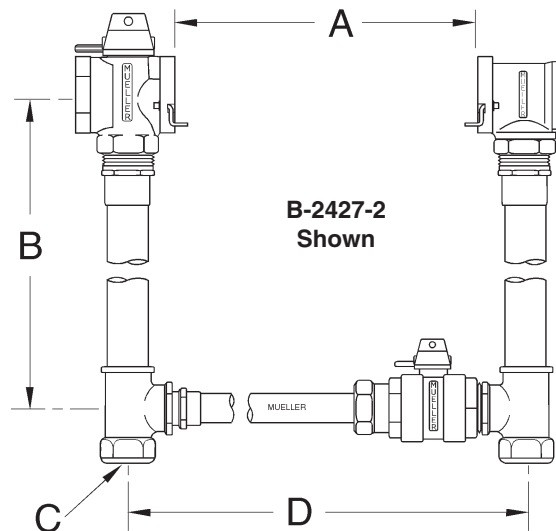
FIP end inlets  
and outlets

FIP end inlets  
and outlets

## 1-1/2" and 2" Copper meter setters (with bypass)

Catalog number	B-2427	B-2427-2 *
Description	With lock wing MUELLER 300™ Ball Angle Meter Valve x lock wing MUELLER 300™ Ball Angle Meter Valve with meter flange. By-pass with lock wing Mueller 300™ Ball Valve.	With lock wing MUELLER 300™ Ball Angle Meter Valve x angle dual check valve with meter flange. By-pass with lock wing Mueller 300™ Ball Valve.

\*For ASSE Approved canister dual check - add 6A for regular or 6D for drain



### Dimensions

Meter size	1-1/2"	2"
Dimension A	13.25"	17.25"
Dimension B - riser height	12", 15", 18", 21", 24", 27"	12", 15", 18", 21", 24", 27"
Dimension C - nominal pipe size of inlet and outlet	1-1/2"	2"
Dimension D	17.625"	21.625"

Contact MUELLER Customer Service Center for ordering requirements and availability.

**SPECIFY METER SIZE, RISER HEIGHT AND CATALOG NUMBER.**