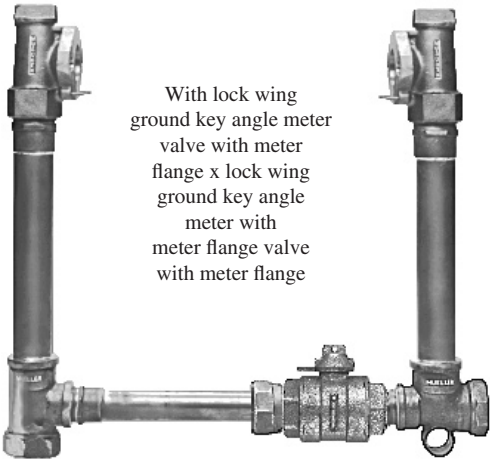


Rev. 8-04

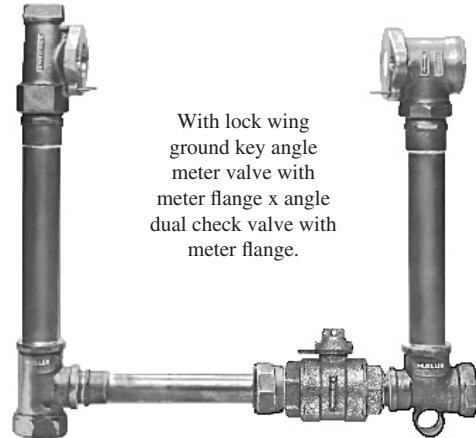
8A - COPPER YOKES



With lock wing ground key angle meter valve with meter flange x lock wing ground key angle meter with meter flange valve with meter flange

H-1429

FIP end inlets and outlets



With lock wing ground key angle meter valve with meter flange x angle dual check valve with meter flange.

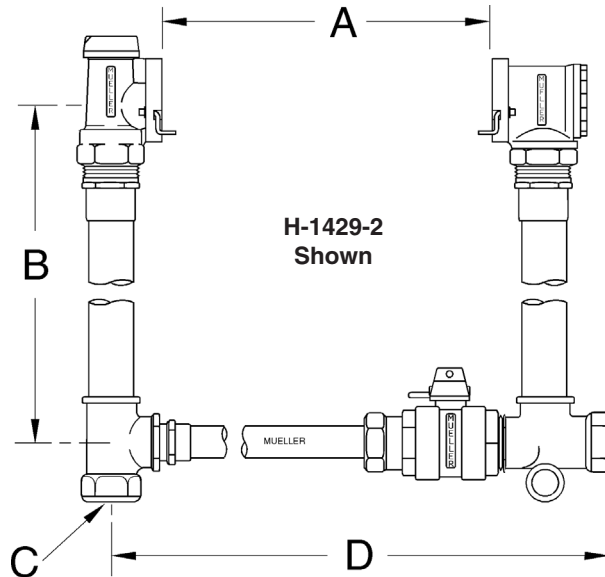
H-1429-2

FIP end inlets and outlets

1-1/2" and 2" Copper meter setters (with bypass)

Catalog number	H-1429	H-1429-2 *
Description	With lock wing ground key angle meter valve with meter flange x lock wing ground key angle meter valve with meter flange. By-pass with lock wing Mueller 300™ Ball Valve.	With lock wing ground key angle meter valve with meter flange x angle dual check valve with meter flange. By-pass with lock wing Mueller 300™ Ball Valve.

*For ASSE Approved canister dual check - add 6A for regular or 6D for drain



Dimensions

Meter size	1-1/2"	2"
Dimension A	13.25"	17.25"
Dimension B - riser height	12", 15", 18", 21", 24", 27"	12", 15", 18", 21", 24", 27"
Dimension C - nominal pipe size of inlet and outlet	1-1/2"	2"
Dimension D	19.187"	24.125"

Contact MUELLER® Customer Service Center for ordering requirements and availability.

See section 6 for end connections that can be used with these yokes.

SPECIFY METER SIZE, RISER HEIGHT AND CATALOG NUMBER.