

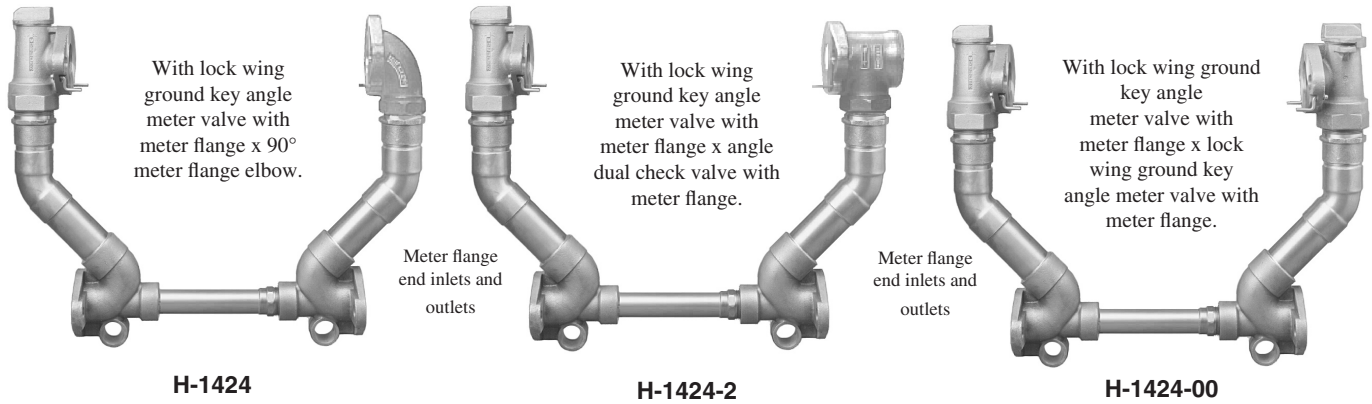
8A.44



METER RESETTERS WITH HORIZONTAL INLET AND OUTLET (FOR 2" FLANGED METERS)

Rev. 8-04

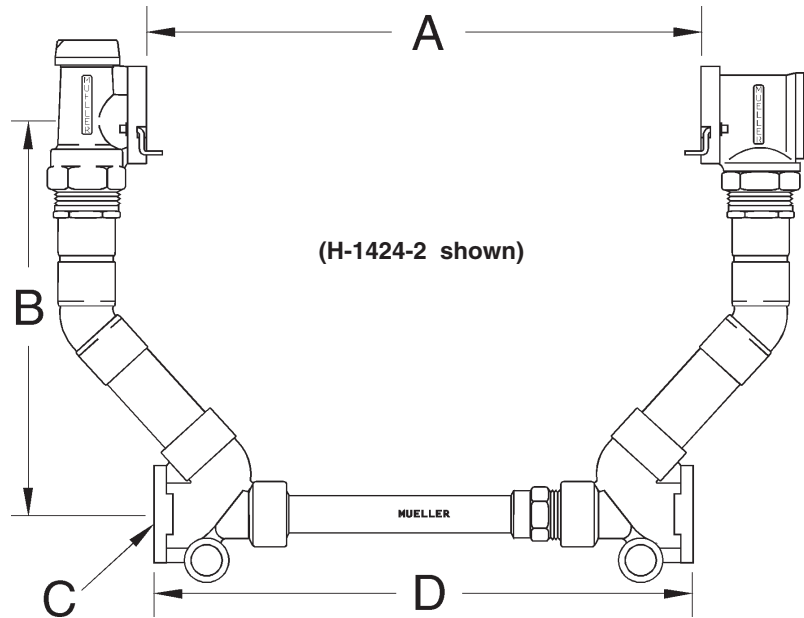
8A - COPPER YOKES



2" Copper meter resetters

Catalog number	H-1424	H-1424-2 *	H-1424-00
Description	With lock wing ground key angle meter valve with meter flange x 90° meter flange elbow.	With lock wing ground key angle meter valve with meter flange x angle dual check valve with meter flange.	With lock wing ground key angle meter valve with meter flange x lock wing ground key angle meter valve with meter flange.

*For ASSE Approved canister dual check - add 6A for regular or 6D for drain



Dimensions

Meter size	2"
Dimension A	17.25"
Dimension B - riser height	14", 15", 16", 18", 21", 24", 27"
Dimension C - nominal pipe size of inlet and outlet	2"
Dimension D	17"

Contact MUELLER® Customer Service Center for ordering requirements and availability.

SPECIFY METER SIZE, RISER HEIGHT AND CATALOG NUMBER.