

MUELLER® 2-1/8" POST TYPE FIRE HYDRANT

Mueller Co.

9.25

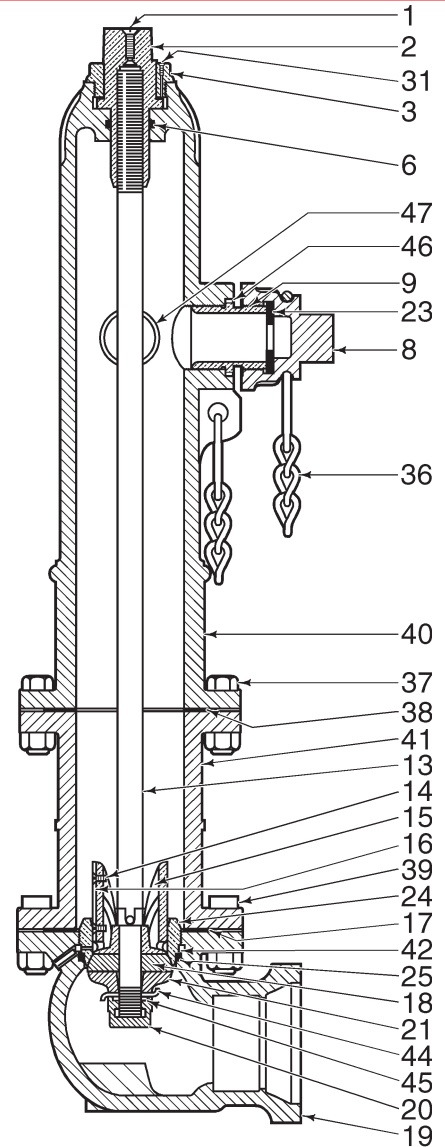
Rev. 8-04

MUELLER 2-1/8" Post Type Fire Hydrant

Cat. part no.	Description	Material	Material standard
1	Oil screw for operating nut	Brass	ASTM B36
2	Operating nut	Bronze	ASTM B584
3	Hold down nut	Bronze	ASTM B584
6	Operating nut O-ring	Rubber	ASTM D2000 BUNA-N
8	Hose nozzle cap	Cast iron	ASTM A126 CL. B
9	Hose nozzle	Bronze	ASTM B584
13	Stem	Steel	ASTM A576 GR. B
14	Drain valve screw	Stainless steel	ASTM A307
15	Upper valve plate*	Bronze	ASTM B584
16	Drain valve facing	Plastic	
17	Shoe gasket	Rubber	ASTM D2000
18	Main valve	Rubber	ASTM D2000
19	Shoe	Cast iron	ASTM A126 CL. B
20	Valve plate nut	Bronze	ASTM B584
21	Lower valve plate	Cast iron	ASTM A126 CL.B
23	Hose nozzle O-ring	Rubber	ASTM D2000 Neoprene
24	Seat ring	Bronze	ASTM B584
25	Seat ring gasket	Copper	ASTM A372
31	Oil screw	Brass	ASTM B36
31B	O-ring (for oil screw)	Rubber	ASTM D2000 BUNA-N
36	Nozzle cap chain	Steel	Plated
37	Barrel flange bolt and nut	Steel	ASTM A307 Plated
38	Barrel flange gasket	Rubber	ASTM D2000
39	Shoe bolt and nut	Steel	ASTM A307 Plated
40	Upper barrel	Cast iron	ASTM A126 CL. B
41	Lower barrel	Cast iron	ASTM A126 CL. B
42	O-ring	Rubber	ASTM D2000
44	Valve nut washer	Stainless steel	ASTM A276
45	Valve nut seal	Rubber	ASTM D2000
46	Nozzle lock	Stainless steel	ASTM A276
47	Hose nozzle gasket	Rubber	ASTM D2000 Neoprene

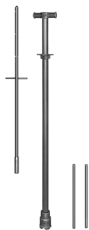
* Includes items #14 and #16.

For pre-1986 models refer to parts drawing on page 9.35.



A-312

A-312 Operating wrench--- operates nozzle caps, pin and lug type hose couplings, hydrant operating nut and hold down nut.



A-347

A-347 Seat wrench--- Adjustable, used to remove main valve and seat ring from ground line level.



A-316

A-316 Nozzle wrench--- Used to remove and install threaded in hose and pumper nozzles.



A-317

A-317 Nozzle lock installation tool--- Used to install nozzle locking device.