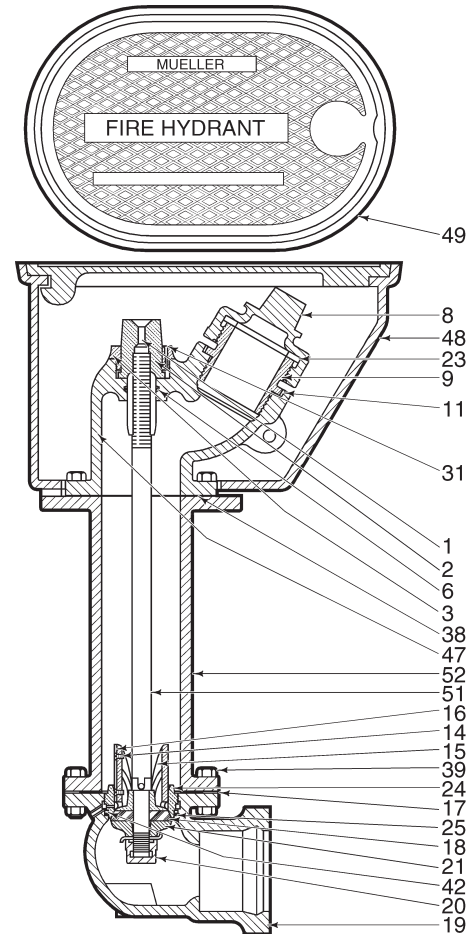



MUELLER® 2-1/8" FLUSH TYPE FIRE HYDRANT

MUELLER 2-1/8" Flush Type Fire Hydrant

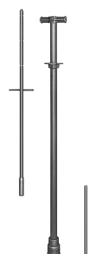
Cat. part no.	Description	Material	Material standard
1	Oil screw for operating nut	Brass	ASTM B36
2	Operating nut	Bronze	ASTM B584
3	Hold down nut	Bronze	ASTM B584
6	Operating nut O-ring	Rubber	ASTM D2000 BUNA N
8	Hose nozzle cap	Cast iron	ASTM A126 CL. B
9	Hose nozzle	Bronze	ASTM B584
14	Drain valve screw	Stainless steel	ASTM A307
15	Upper valve plate*	Bronze	ASTM B584
16	Drain valve facing	Plastic	
17	Shoe gasket	Rubber	ASTM D2000
18	Main valve	Rubber	ASTM D2000
19	Shoe	Cast iron	ASTM A126 CL. B
20	Valve plate nut (for use on pre-1986 models; 1986 and newer models use numbers 43, 44, 45)	Bronze	ASTM B584
21	Lower valve plate	Cast iron	ASTM A126 CL.B
23	Hose nozzle gasket	Rubber	ASTM ASTM D2000 Neoprene
24	Seat ring	Bronze	ASTM B584
25	Seat ring gasket	Copper	ASTM A372
31	Oil screw	Brass	ASTM B36
38	Barrel flange gasket	Rubber	ASTM D2000
39	Shoe bolt and nut	Steel	ASTM A307 Plated
42	O-ring	Rubber	ASTM D2000
43	Cap nut (for use on 1986 and newer models with numbers 44 and 45; not shown)	Bronze	ASTM B584
44	Valve nut washer (used with numbers 43 and 45; not shown)	Stainless steel	ASTM A276
45	Valve nut seal (used with numbers 43 and 44; not shown)	Rubber	ASTM D2000
46	Nozzle lock	Stainless steel	ASTM A276
47	Upper barrel	Cast iron	ASTM A126 CL. B
48	Flush box	Cast iron	ASTM A126 CL. B
49	Flush box lid (non-locking)	Cast iron	ASTM A126 CL.B
50	Cap screw	Steel	Electrogalvanized
51	Stem	Steel	ASTM A576 GR. B
52	Lower barrel	Cast iron	ASTM A126 CL. B




*Includes items 14 and 16.




A-313
A-313 Operating wrench--- Operates nozzle caps, pin and lug type hose couplings, hydrant operating nut and hold down nut.



A-344
A-344 Seat wrench--- Adjustable, used to remove main valve and seat ring from ground line level.



A-316
A-316 Nozzle wrench--- Used to remove and install threaded in hose and pumper nozzles.



A-317
A-317 Nozzle lock installation tool--- Used to install nozzle locking device.