

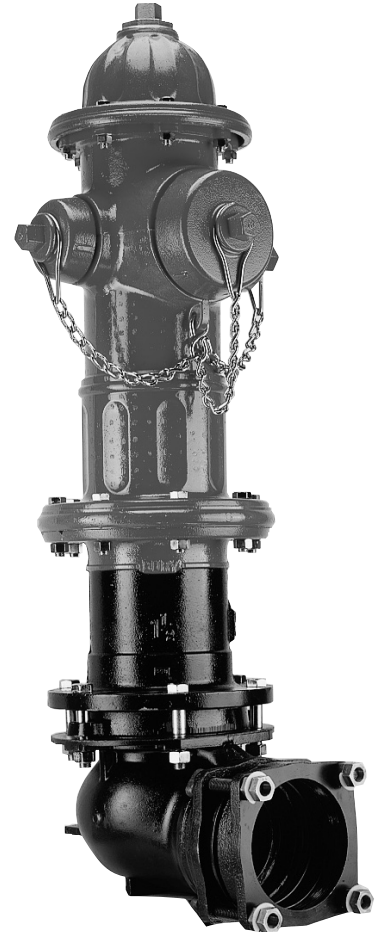
# 9.6



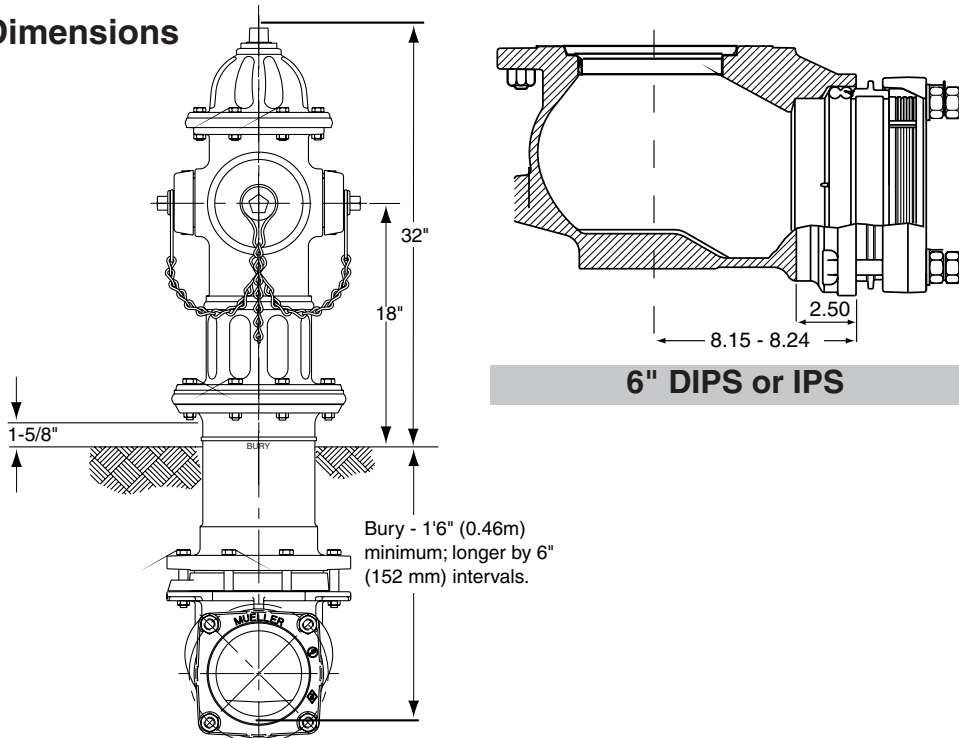
# MUELLER® SUPER CENTURION® FIRE HYDRANT WITH AQUAGRIP™ SYSTEM

Rev. 8-04 Shaded area indicates changes

- ❑ **Super Centurion 250™**  
A-421 4-1/2" main valve opening three way (two hose nozzles and one pumper nozzle)  
A-423 5-1/4" main valve opening three way (two hose nozzles and one pumper nozzle)
- ❑ 10 year limited warranty on material and workmanship
- ❑ Meets all applicable parts of ANSI/AWWA C502 Standard
- ❑ Post type dry barrel design
- ❑ Dry top design with O-ring sealed oil reservoir
- ❑ Traffic feature with stainless steel safety stem coupling
- ❑ Compression-type main valve closes with pressure for positive seal; it is made of rubber and is conveniently reversible providing a spare for long service life (Patent Pending)
- ❑ Operating nut available in wide variety of shapes and sizes – open left or right
- ❑ Field replaceable hose and pumper nozzles
- ❑ Hose and pumper nozzles have large radius, full flow openings for low friction loss
- ❑ Contoured shoe is designed for full flow
- ❑ Dual bronze drain valves provide effective barrel drainage
- ❑ 250 psig (1723 kPa) maximum working pressure, 500 psig (3447 kPa) static test pressure for 3-way hydrants;  
200 psig (1379 kPa) maximum working pressure, 400 psig (2758 kPa) static test pressure for 2-way and 1-way hydrants



## Dimensions



SEE PAGE 9.28 FOR ORDERING INSTRUCTIONS