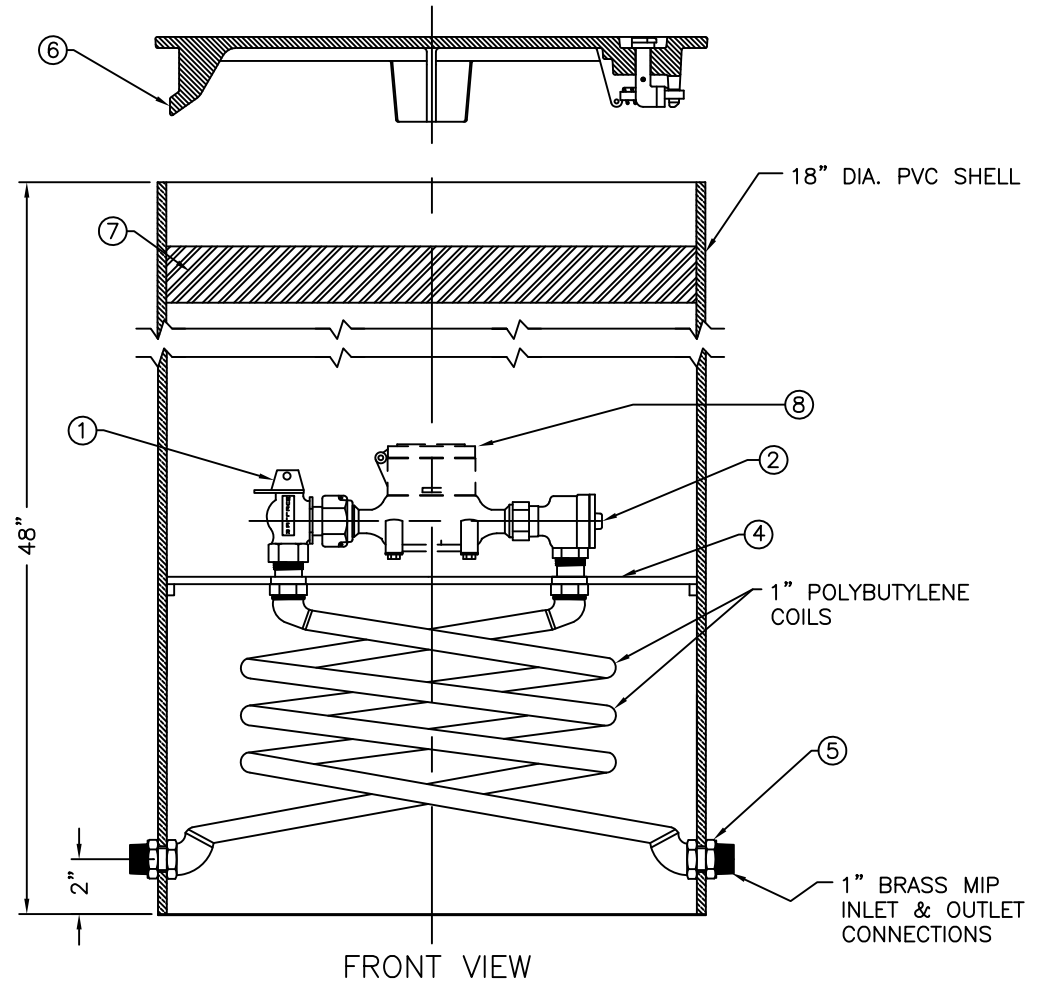
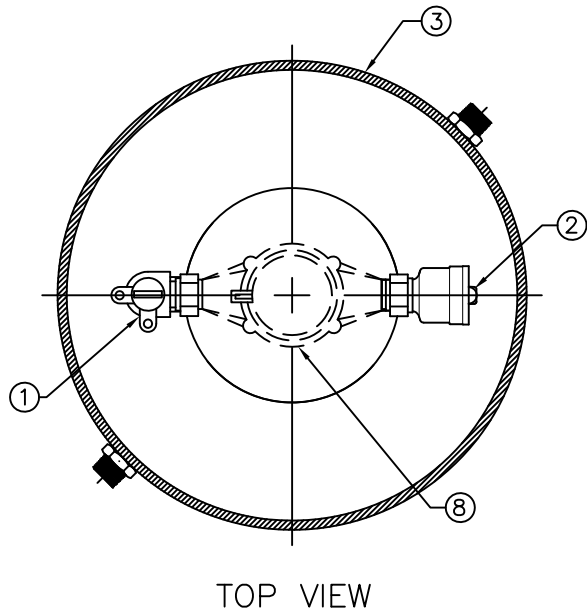


ITEM	DESCRIPTION	PART NO.	REQ'D
1	1" LOCKWING FULL PORT BALL VALVE	B24265N	1
2	1" ASSE DUAL ANGLE CHECK VALVE	H14244AN	1
3	18" SHELL SUB ASSEMBLY		1
4	STABILIZING PLATFORM		1
5	1" HEX NUTS		8
6	CAST IRON SIDE LOCKING LID (OPTIONAL)	282925	----
7	18" X 4" INSULATING PAD (OPTIONAL)	790153	----
8	METER (NOT INCLUDED)		----

*NOTE: METER NOT INCLUDED



330CS1848FSBSN

REV.	DESCRIPTION	REF.	DRFTR	CHK'R	APP	DATE

DRFTR	BBF	8/17/16	THIRD ANGLE PROJECTION	REF. NO.	SCALE
CHK'R					NONE
E.O. NUMBER				STOCK No.	
Mueller Co.			DESCR.	REV.	NUMBER
			1" COIL SINGLE METER PIT 18" DIA X 48" DEPTH LOW LEAD BRASS		330CS1848FSBSN
				SHEET 1 OF 1	