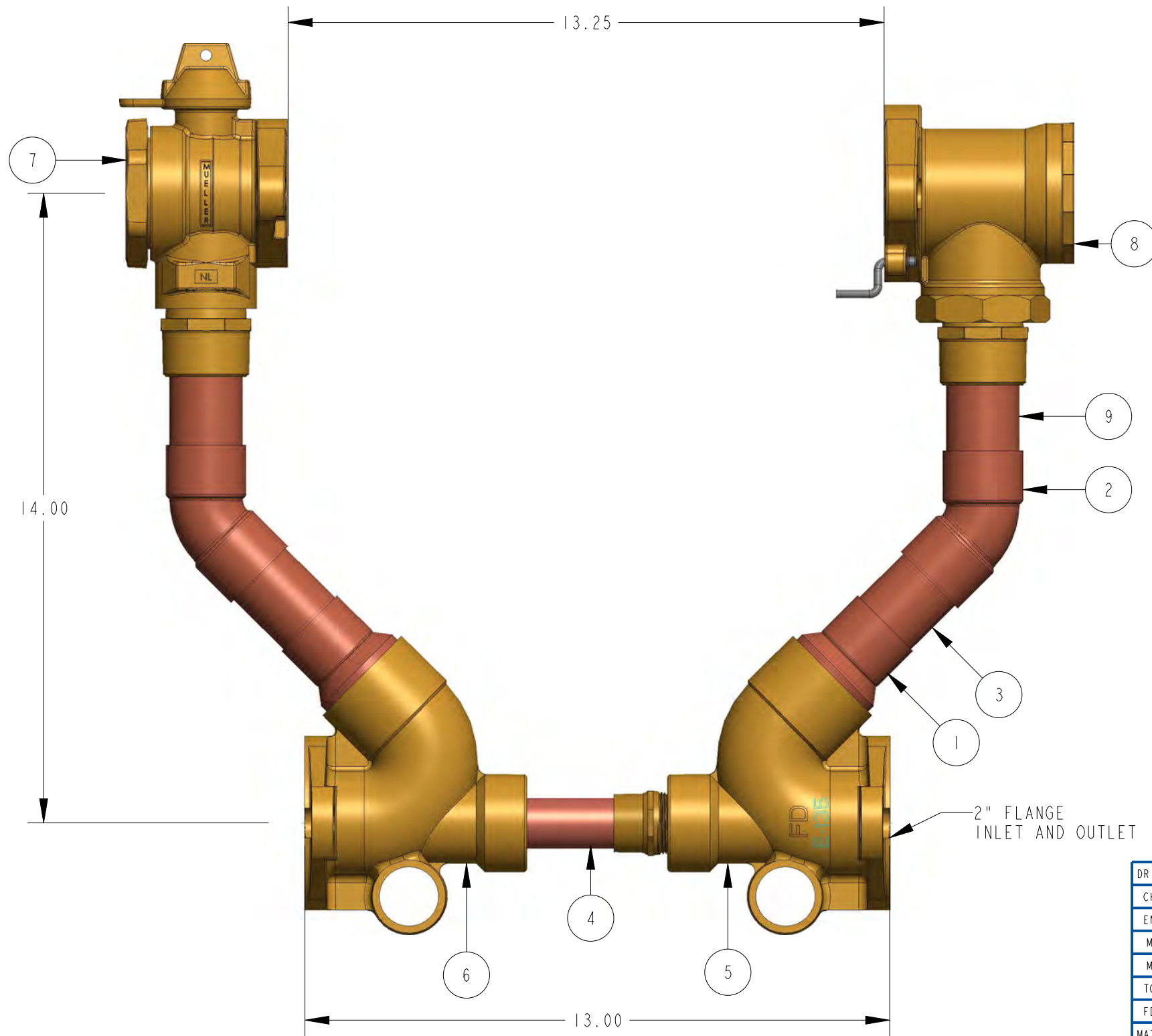


ITEM NO	PART NUMBER	QTY	DESCRIPTION
1	311849	2	1-1/2" X 1-5/8" REDUCING FITTING
2	311850	2	1/2" COPPER 45 DEG ELBOW
3	528602	2	1-1/2" COPPER TUBING
4	682023	1	1" TIE BAR SUB ASSEMBLY
5	311763E	1	2" RELOCATOR ELBOW
6	311764E	1	2" RELOCATOR ELBOW
7	500B242863N	1	1-1/2" 360 DEGREE BALL VALVE
8	500HI4244N	1	1-1/2" DUAL CHECK VALVE
9	682224E	2	RISER SUB ASSEMBLY



063B2424--5--N

DR. BY	AOD	7/20/22	UNLESS OTHERWISE NOTED	THIRD ANGLE PROJECTION	C.B. NO.
CHKR			BREAK CAST CORNER(S)---		
ENGR			BREAK MACH CORNER(S)---	PURCH.	PATT. NO.
MGR			TOLERANCES	FINISH	
MFG			UNLESS OTHERWISE NOTED	REF. NO.	SCALE
TOOL			LINEAR	±	ANGULAR
FDRY			±	±	STK. NO.
MAT'L:					
<b>MUELLER</b>			DESCR. 1-1/2" COPPER METER SETTER 14" RISER HEIGHT LOW LEAD BRASS	NUMBER 063B2424--5--N	