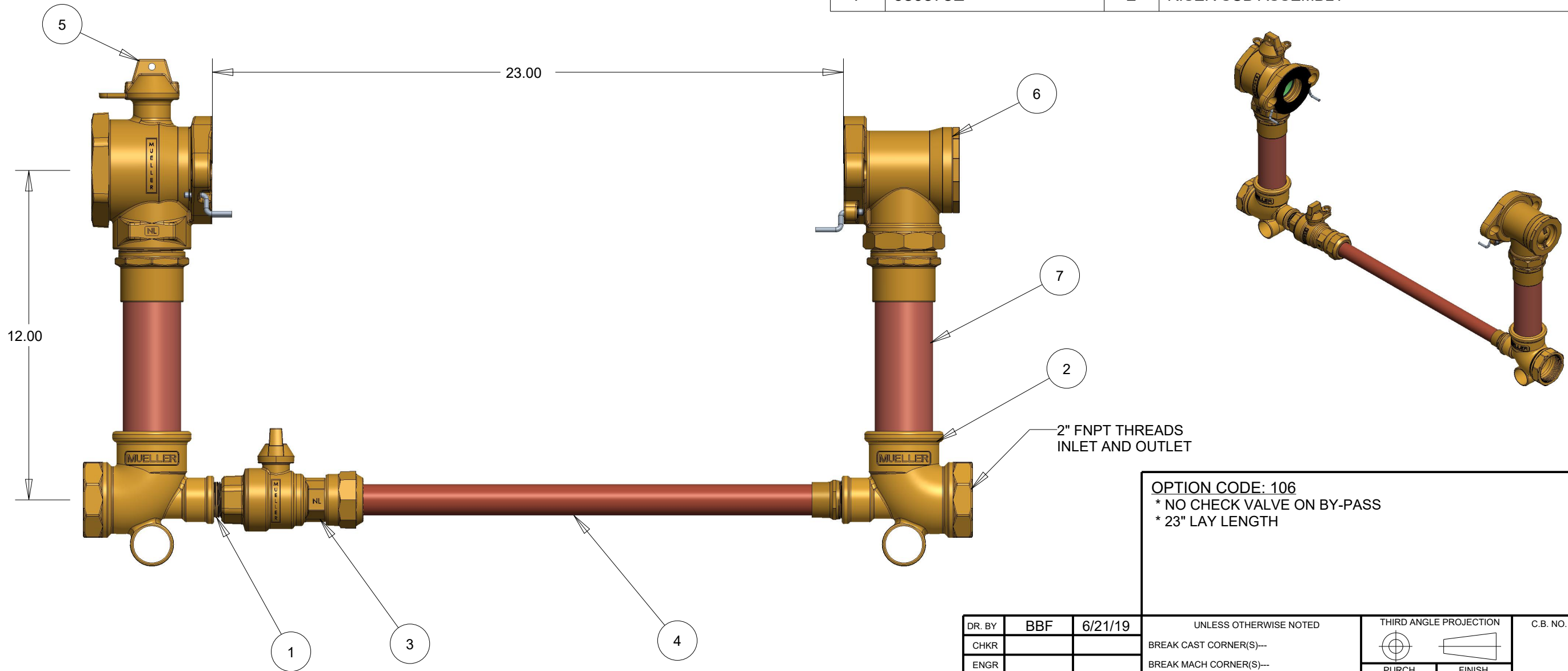


ITEM NO	PART NUMBER	QTY	DESCRIPTION
1	047139	1	1" CLOSED NIPPLE
2	530146	2	TEE (2" FIP X 2" SOLDER X 1" FIP)
3	330B25170N	1	1" INLINE BALL VALVE (110 X FIP)
4	549970E	1	TIE BAR SUB ASSEMBLY
5	550B2428601N	1	2" FULL PORT BALL VALVE
6	550H14244N	1	2" DUAL CHECK VALVE
7	680378E	2	RISER SUB ASSEMBLY



OPTION CODE: 106
 * NO CHECK VALVE ON BY-PASS
 * 23" LAY LENGTH

DR. BY	BBF	6/21/19	UNLESS OTHERWISE NOTED	THIRD ANGLE PROJECTION	C.B. NO.
CHKR			BREAK CAST CORNER(S)---		
ENGR			BREAK MACH CORNER(S)---	PURCH.	FINISH
MGR			TOLERANCES	REF. NO.	PATT. NO.
MFG			UNLESS OTHERWISE NOTED	SCALE	
TOOL			LINEAR	ANGULAR	
FDRY			±	±	STK. NO.
MATL:					
			DESCR. 2" COPPER METER SETTER 12" RISER HEIGHT LOW LEAD BRASS	NUMBER 105B2423-2-106N	

105B2423-2-106N