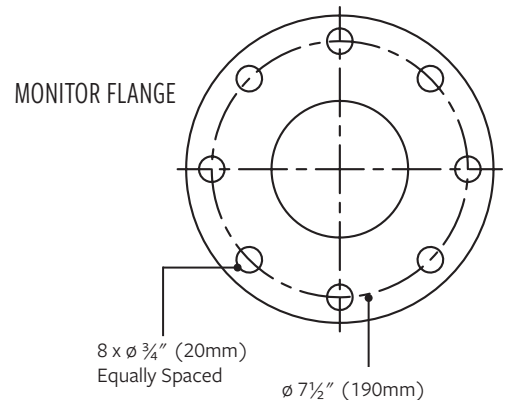
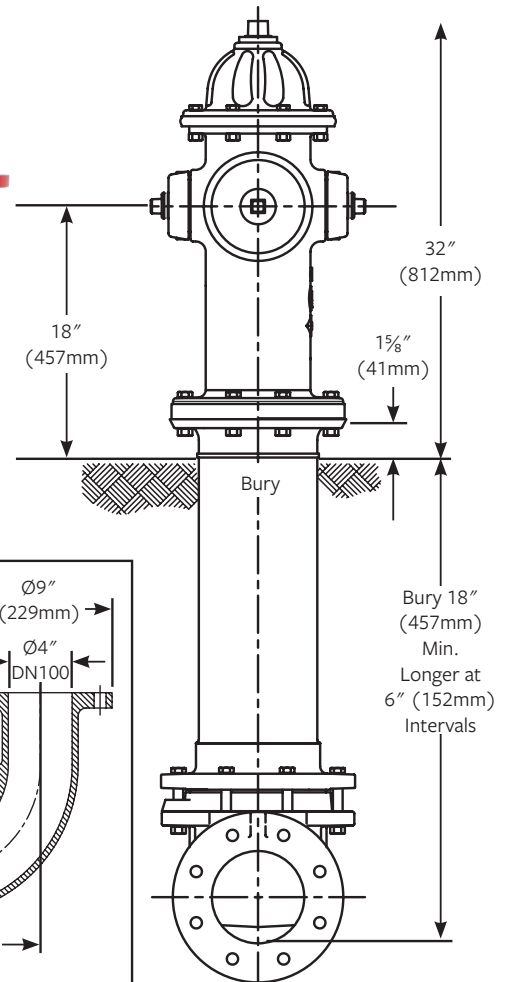
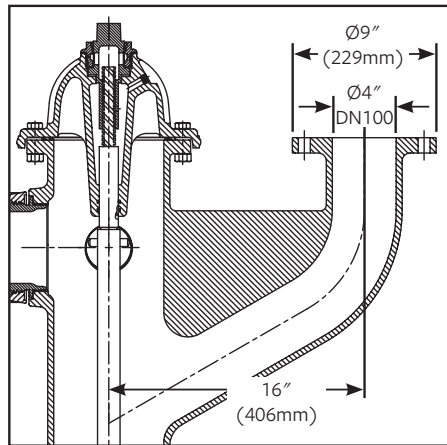


MUELLER

SUPER CENTURION[®] MONITOR HYDRANT

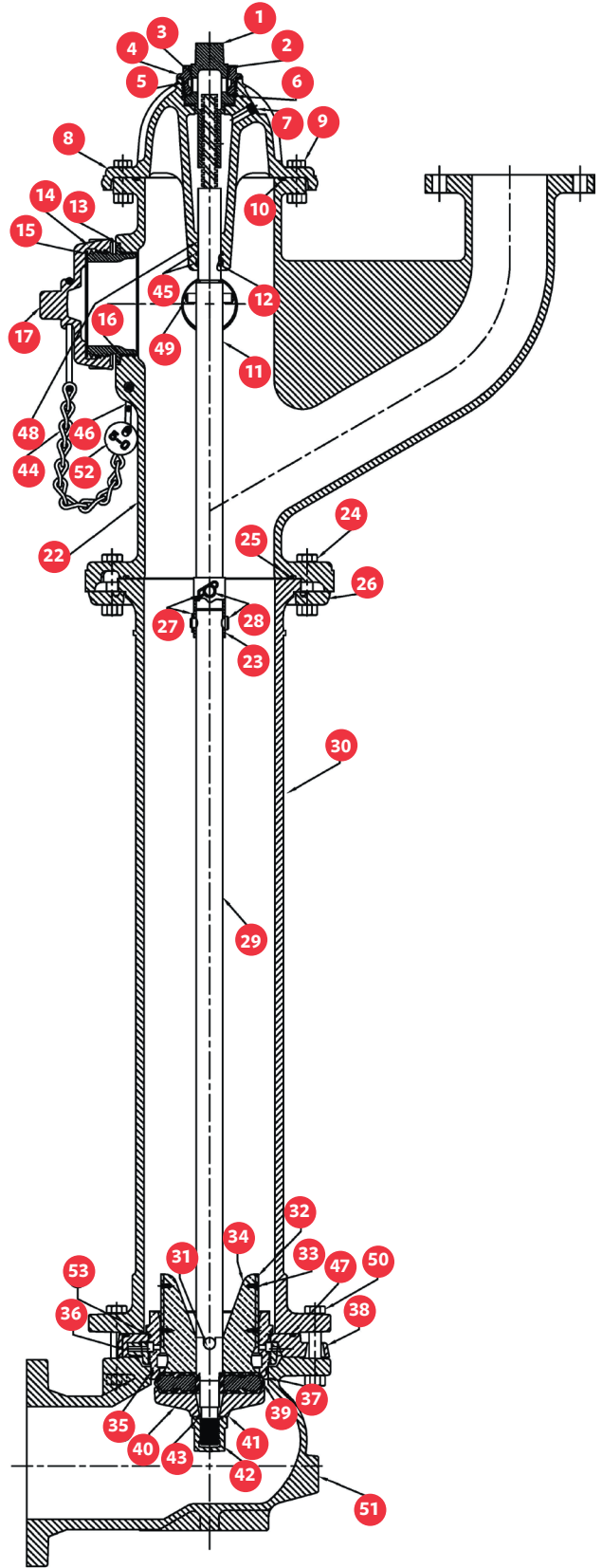
PRODUCT FEATURES

- Model A-479HP, 4-Way Hydrant – maximum working pressure 350psig/24barg (2400kPa); test pressure 700psig/48barg (4800kPa).
- Integral 4"/DN100 Monitor elbow.
- UL Listed and FM Approved
- Meets or exceeds all applicable requirements of ANSI/AWWA C502 Standard and certified to ANSI/NSF 61/372.
- O-ring sealed Bonnet, Ground, and Shoe Flange – better leak resistance, easier maintenance.
- Stem - E-Coated for Corrosion Resistance.
- O-ring sealed Oil Reservoir with Filler Plug – permits easy check of oil level and refill without removing Bonnet; filled at factory.
- Operating mechanism lubrication – automatic lubrication of Stem threads and bearing surfaces each time Hydrant is operated.
- Full flow performance – large radius Hose and Pumper openings and conical Upper Valve Plate reduce turbulence and provide low friction loss.
- Field replaceable, O-ring sealed Hose and Pumper Nozzles – threaded in place and retained by Stainless Steel locks. NST or BSP Nozzle threads available. Integral Storz connector (as shown) also available to order.
- O-ring sealed Bronze Seat Ring – Resists corrosion and easily removed for maintenance through top of Hydrant.
- Traffic Flange and Stainless Steel Stem Coupling – if Hydrant is struck, Flange and Coupling break free preventing damage to Stem and main Valve, and uncontrolled Water flow – Coupling will not break into pieces that could drop down and affect Valve operation. Reusable Clip is easy to use. Repair is simple and economical.
- Double Bronze Drains – each time main Valve opens or closes, drain Valves force-flush drain openings to keep them open for effective barrel drainage.
- Inlet Connections: 6"/DN150 Flanged ANSI B16.1 Class 125 Flat Face (optional PN10, PN16 drilling). Mechanical Joint and other Inlet Connections available.



PARTS LIST

ID	PART NAME	MATERIAL
1	Operating Nut	Bronze ASTM B62
2	Wiper Ring	Rubber ASTM D2000 EPDM
3	Hold Down Nut O-ring	Rubber ASTM D2000 BUNA N
4	Hold Down Nut	Bronze ASTM B62
5	Bonnet O-Ring	Rubber ASTM D2000 BUNA N
6	Anti-friction Washer	Acetal
7	Oil Plug	Brass ASTM B16
8	Bonnet	Cast Iron ASTM A126 CL.B
9	Bonnet Bolt and Nut	Steel/SAE J995
10	Top Upper Barrel O-Ring	Rubber ASTM D2000 BUNA N
11	Upper Stem	Steel ASTM A576
12	Upper Stem O-Ring	Rubber ASTM D2000 BUNA N
13	Nozzle Lock	Stainless Steel ASTM A276
14	Pumper Nozzle	Brass ASTM B584
15	Pumper Nozzle Gasket	Rubber ASTM D2000 Neoprene
16	Pumper Nozzle O-Ring	Rubber ASTM D2000 BUNA N
17	Pumper Nozzle Cap	Cast Iron ASTM A126 CL.B
**18	Hose Nozzle	Brass ASTM B584
**19	Hose Nozzle Gasket	Rubber ASTM D2000 Neoprene
**20	Hose Nozzle O-Ring	Rubber ASTM D2000 BUNA N
**21	Hose Nozzle Cap	Cast Iron ASTM A126 CL.B
22	Upper Barrel	Ductile Iron ASTM A536
23	Stem Coupling	Stainless Steel ASTM A890
24	Traffic Flange Bolt and Nut	Steel SAE J429/SAE J995
25	Traffic Flange O-Ring	Rubber ASTM D2000 BUNA N
26	Traffic Flange	Cast Iron ASTM A126 CL. B
27	Reusable Clip	Stainless Steel 18-8
28	Clevis Pin	Stainless Steel ASTM A276
29	Lower Stem	Steel ASTM A576
30	Lower Barrel	Cast Iron ASTM A126 CL.B
31	Lower Stem Pin	Stainless Steel ASTM A582
32	Drain Valve Facing	Plastic
33	Drain Valve Screw	Stainless Steel ASTM A276
34	Upper Valve Plate (Includes 32 and 33)	Brass ASTM B584
35	Seat Ring Bottom O-Ring	Rubber ASTM D2000 BUNA N
36	Drain Ring	Bronze ASTM B62
37	Seat Ring	Brass ASTM B584
38	Drain Ring Housing	Cast Iron ASTM A126 CL.B
39	Reversible Reinforced Main Valve	Iron Encapsulated Rubber ASTM D2000
40	Lower Valve Plate	Cast Iron ASTM A126 CL.B
41	Lock Washer	Stainless Steel ASTM A276
42	Lower Valve Plate Nut	Cast Iron ASTM A126 CL.B
43	Nut Seal	Rubber
44	Cap Chains	Galvanized Steel
45	Stem O-Ring (Bonnet Side)	Rubber ASTM D2000 BUNA N
46	Chain Hook	Galvanized Steel
47	Drain Ring Housing O-Ring	Rubber ASTM D2000 BUNA N
48	Sleeve	Copper ASTM B75
49	Upper Stem Pin	Stainless Steel ASTM A582
50	Shoe Bolt and Nut	Steel SAE J429/SAE J995
51	Shoe	Ductile Iron ASTM A536
52	Bury Tag	Steel SAE J995
53	Top Seat O-Ring	Stainless Steel ASTM A240



Nozzle Information: 1/Pumper Nozzle (4½"/DN110 NST or BSP),
2/Nose Nozzles (2½"/DN65 NST or BSP)
**Not shown

For more information about us, or to view our full line of products, please visit www.mueller-international.com or call International Customer Service at:

UK: +44.1438.487410 Dubai: +971.4.214.6640 Singapore: +65.6816.3088 USA: +1.800.423.1323 | International@muellerwp.com

Mueller refers to one or more of Mueller Water Products, Inc., a Delaware corporation ("MWP"), and its subsidiaries. MWP and each of its subsidiaries are legally separate and independent entities when providing products and services. MWP does not provide products or services to third parties. MWP and each of its subsidiaries are liable only for their own acts and omissions and not those of each other. MWP brands include Mueller®, Echologics®, Hydro Gate®, Hydro-Guard®, Jones®, Krausz®, Mi.Net®, Milliken®, Pratt®, Pratt Industrial®, Singer®, and U.S. Pipe Valve & Hydrant. Please see muellerwp.com/brands to learn more.

© 2020 Mueller Water Products, Inc. All Rights Reserved. The trademarks, logos and service marks displayed in this document are the property of Mueller Water Products, Inc., its affiliates or other third parties. Products above marked with a section symbol (§) are subject to patents or patent applications. For details visit www.mwppat.com.

