

## PIVA Post Indicator Valve Assembly

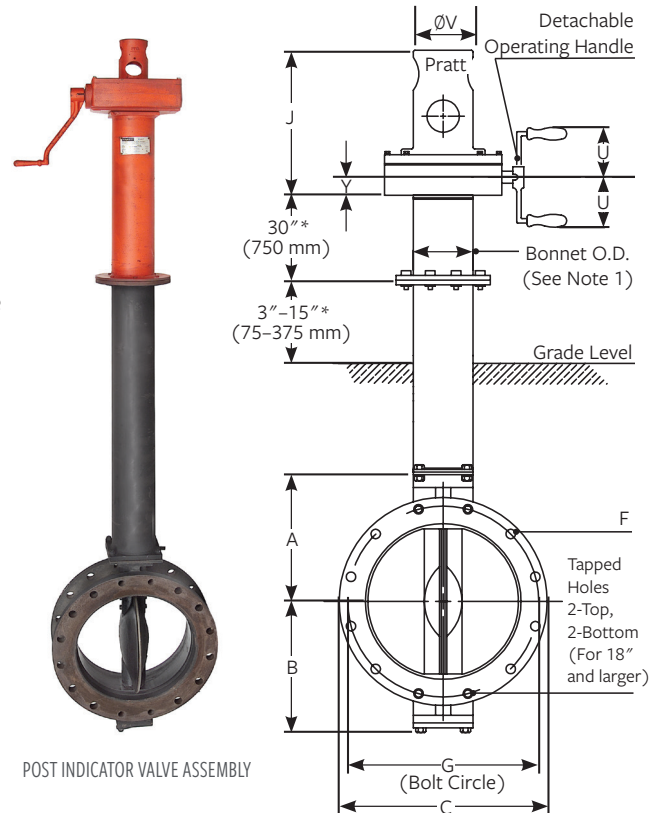
### PRODUCT FEATURES

The Pratt® Post Indicator Valve Assembly (PIVA) is a manually operated, buried Butterfly Valve with a high visibility target. The PIVA includes a Torque Spring feature, if the Valve Indicator is damaged, the Torque Spring maintains the Valve in an open position.

- \*3"/DN80 – 24"/DN600, UL Listed to 250psig/17barg (Flange Ends Only).
- 6"/DN150 – 24"/DN600 FM Approved to 175psig/12barg
- Mechanical Joint and Wafer Style PIVA also available (lower pressure ratings apply).
- Torque Spring feature
- Valve position visible from 300'/100 m away
- Ease of operation. Can be easily opened or closed by one person
- Design includes a Safety/Traffic Break feature
- Equipped with a weather proof Actuator
- Does not require exercising

### MATERIALS OF CONSTRUCTION

<b>Body</b>	Ductile Iron ASTM A536
<b>Disc</b>	Ductile Iron (3" & 4"/DN80 & DN100 CF8M)
<b>Seat</b>	EPDM
<b>Shaft</b>	Stainless Steel 17-4
<b>Post &amp; Spindle</b>	Carbon Steel



POST INDICATOR VALVE ASSEMBLY

### FLANGED END DIMENSIONS - INCHES (MM)

VALVE SIZE	A	B	C- FLANGED	C- WAFER	F = QTY-ØBOLT-ØHOLE	G
*3"/DN80	5 <sup>1</sup> / <sub>8</sub> (130)	3 <sup>3</sup> / <sub>4</sub> (95)	7 <sup>1</sup> / <sub>2</sub> (191)	4 <sup>1</sup> / <sub>4</sub> (108)	4 - 5 <sup>8</sup> / <sub>8</sub> (16) - 3 <sup>4</sup> / <sub>4</sub> (19)	6 (152)
4"/DN100	5 <sup>7</sup> / <sub>8</sub> (149)	4 <sup>1</sup> / <sub>2</sub> (114)	9 (229)	6 <sup>3</sup> / <sub>4</sub> (171)	8 - 5 <sup>8</sup> / <sub>8</sub> (16) - 3 <sup>4</sup> / <sub>4</sub> (19)	7 <sup>1</sup> / <sub>2</sub> (190)
6"/DN150	6 <sup>7</sup> / <sub>8</sub> (175)	5 <sup>1</sup> / <sub>2</sub> (140)	11 (279)	8 <sup>5</sup> / <sub>8</sub> (219)	8 - 3 <sup>4</sup> / <sub>4</sub> (19) - 7 <sup>8</sup> / <sub>8</sub> (22)	9 <sup>1</sup> / <sub>2</sub> (241)
8"/DN200	8 <sup>1</sup> / <sub>8</sub> (206)	6 <sup>3</sup> / <sub>4</sub> (172)	13 <sup>1</sup> / <sub>2</sub> (343)	10 <sup>7</sup> / <sub>8</sub> (276)	8 - 3 <sup>4</sup> / <sub>4</sub> (19) - 7 <sup>8</sup> / <sub>8</sub> (22)	11 <sup>3</sup> / <sub>4</sub> (298)
10"/DN250	9 <sup>3</sup> / <sub>8</sub> (238)	9 <sup>7</sup> / <sub>8</sub> (251)	16 (406)	13 <sup>1</sup> / <sub>4</sub> (337)	12 - 7 <sup>8</sup> / <sub>8</sub> (22) - 1 (25)	14 <sup>1</sup> / <sub>4</sub> (362)
12"/DN300	11 (279)	11 <sup>3</sup> / <sub>8</sub> (289)	19 (483)	16 (406)	12 - 7 <sup>8</sup> / <sub>8</sub> (22) - 1 (25)	17 (432)
14"/DN350	12 <sup>3</sup> / <sub>8</sub> (314)	12 <sup>5</sup> / <sub>8</sub> (321)	21 (533)	17 <sup>5</sup> / <sub>8</sub> (448)	12 - 1 (25) - 1 <sup>1</sup> / <sub>8</sub> (28)	18 <sup>3</sup> / <sub>4</sub> (476)
16"/DN400	14 (356)	14 <sup>1</sup> / <sub>2</sub> (368)	23 <sup>1</sup> / <sub>2</sub> (597)	20 <sup>1</sup> / <sub>8</sub> (511)	16 - 1 (25) - 1 <sup>1</sup> / <sub>8</sub> (28)	21 <sup>1</sup> / <sub>4</sub> (540)
18"/DN450	14 <sup>7</sup> / <sub>8</sub> (378)	15 <sup>1</sup> / <sub>4</sub> (387)	25 (635)	21 <sup>1</sup> / <sub>2</sub> (546)	16 - 1 <sup>1</sup> / <sub>8</sub> (28) - 1 <sup>1</sup> / <sub>4</sub> (32)	22 <sup>3</sup> / <sub>4</sub> (578)
20"/DN500	16 <sup>1</sup> / <sub>2</sub> (419)	17 (432)	27 <sup>1</sup> / <sub>2</sub> (698)	23 <sup>3</sup> / <sub>4</sub> (603)	20 - 1 <sup>1</sup> / <sub>8</sub> (28) - 1 <sup>1</sup> / <sub>4</sub> (32)	25 (635)
24"/DN600	19 <sup>3</sup> / <sub>8</sub> (492)	18 <sup>1</sup> / <sub>2</sub> (470)	32 (813)	---	20 - 1 <sup>1</sup> / <sub>4</sub> (32) - 1 <sup>1</sup> / <sub>2</sub> (38)	29 <sup>1</sup> / <sub>2</sub> (749)

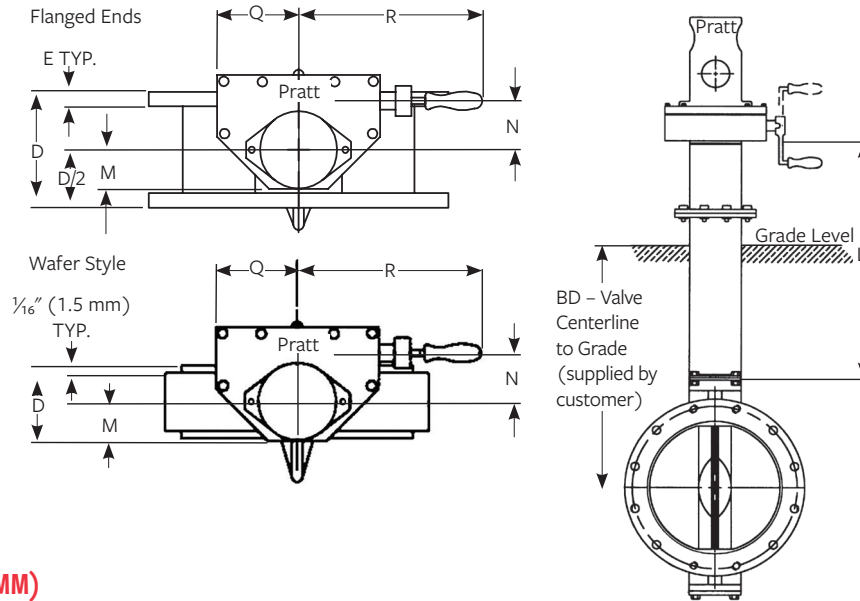
#### Notes:

1. Outer Tube O.D. is 4<sup>1</sup>/<sub>2</sub>" (114 mm) on sizes 8"/DN200 and smaller, 5<sup>1</sup>/<sub>16</sub>" (141 mm) on Valve sizes 10"/DN250 – 14"/DN350, 6<sup>5</sup>/<sub>8</sub>" (168 mm) on Valve sizes 16"/DN400 and 18"/DN450, 8<sup>5</sup>/<sub>8</sub>" (219 mm) on 20"/DN500) - 24"/DN600.

\*For sizes 20"/DN500 & 24"/DN600, grade to Gear dimension 23" (585 mm) – 45" (1145 mm), based on Bury Depth (BD).

ACTUATOR SIZE	VALVE SIZE	J	U	ØV	Y	NO. OF TURNS
MDT-2S	*3"/DN80 – 8"/DN200	12 (304)	8 <sup>5</sup> / <sub>8</sub> (219)	4 <sup>1</sup> / <sub>2</sub> (114)	2 (51)	32
MDT-3S	10"/DN250 – 14"/DN350	12 <sup>7</sup> / <sub>8</sub> (327)	8 <sup>5</sup> / <sub>8</sub> (219)	4 <sup>1</sup> / <sub>2</sub> (114)	2 <sup>7</sup> / <sub>16</sub> (62)	30
MDT-4S	16"/DN400 – 18"/DN450	13 <sup>1</sup> / <sub>2</sub> (343)	12 <sup>9</sup> / <sub>16</sub> (319)	4 <sup>1</sup> / <sub>2</sub> (114)	2 <sup>27</sup> / <sub>32</sub> (72)	40
MDT-5	20"/DN500	14 <sup>3</sup> / <sub>4</sub> (375)	12 <sup>9</sup> / <sub>16</sub> (319)	4 <sup>1</sup> / <sub>2</sub> (114)	3 <sup>1</sup> / <sub>2</sub> (89)	44
MDT-5S	24"/DN600	17 <sup>1</sup> / <sub>4</sub> (438)	12 <sup>9</sup> / <sub>16</sub> (319)	4 <sup>1</sup> / <sub>2</sub> (114)	4 (102)	136

\*Wafer end not available in 3"DN80



## DIMENSIONS - INCHES (MM)

VALVE SIZE	3"/DN80	4"/DN100	6"/DN150	8"/DN200	10"/DN250	12"/DN300	14"/DN350	16"/DN400	18"/DN450	20"/DN500	24"/DN600
D-Wafer	--	2 <sup>5</sup> / <sub>16</sub> (59)	2 <sup>15</sup> / <sub>16</sub> (75)	3 1/16 (78)	3 <sup>3</sup> / <sub>16</sub> (81)	3 <sup>7</sup> / <sub>16</sub> (87)	3 <sup>11</sup> / <sub>16</sub> (93)	4 <sup>3</sup> / <sub>16</sub> (106)	4 <sup>11</sup> / <sub>16</sub> (119)	5 <sup>3</sup> / <sub>16</sub> (132)	--
D-Flanged Ends	5 (127)	5 (127)	5 (127)	6 (152)	8 (203)	8 (203)	8 (203)	8 (203)	8 (203)	8 (203)	8 (203)
E-Flanged Ends	1 <sup>3</sup> / <sub>16</sub> (21)	1 (25)	1 <sup>1</sup> / <sub>16</sub> (27)	1 <sup>3</sup> / <sub>16</sub> (30)	1 <sup>1</sup> / <sub>8</sub> (27)	1 <sup>5</sup> / <sub>16</sub> (33)	1 <sup>7</sup> / <sub>16</sub> (37)	1 <sup>1</sup> / <sub>2</sub> (38)	1 <sup>5</sup> / <sub>8</sub> (41)	1 <sup>3</sup> / <sub>4</sub> (44)	1 <sup>5</sup> / <sub>16</sub> (49)

## BURIED DEPTH (BD)

		VALVE SIZE								
		3"/DN80	4"/DN100	6"/DN150	8"/DN200	10"/DN250	12"/DN300	14"/DN350	16"/DN400	18"/DN450
BURIED DEPTH - BD	1'2 <sup>1</sup> / <sub>4</sub> " - 2'2 <sup>1</sup> / <sub>4</sub> " (362-667)	1'3" - 2'3" (381-686)	1'4" - 2'4" (406-711)	1'5" - 2'5" (432-737)	1'6" - 2'6" (457-762)	1'8" - 2'8" (508-813)	1'9" - 2'9" (533-838)	1'10" - 2'10" (559-867)	1'11" - 2'11" (584-889)	
	2'2 <sup>1</sup> / <sub>4</sub> " - 3'2 <sup>1</sup> / <sub>4</sub> " (667-971)	2'3" - 3'3" (686-991)	2'4" - 3'4" (711-1016)	2'5" - 3'5" (737-1041)	2'6" - 3'6" (762-1067)	2'8" - 3'8" (813-1118)	2'9" - 3'9" (838-1143)	2'10" - 3'10" (867-1168)	2'11" - 3'11" (889-1194)	
	3'2 <sup>1</sup> / <sub>4</sub> " - 4'2 <sup>1</sup> / <sub>4</sub> " (971-1276)	3'3" - 4'3" (991-1295)	3'4" - 4'4" (1016-1321)	3'5" - 4'5" (1041-1346)	3'6" - 4'6" (1067-1372)	3'8" - 4'8" (1118-1422)	3'9" - 4'9" (1143-1448)	3'10" - 4'10" (1168-1473)	3'11" - 4'11" (1194-1499)	
	4'2 <sup>1</sup> / <sub>4</sub> " - 5'2 <sup>1</sup> / <sub>4</sub> " (1276-1581)	4'3" - 5'3" (1295-1600)	4'4" - 5'4" (1321-1626)	4'5" - 5'5" (1346-1651)	4'6" - 5'6" (1372-1676)	4'8" - 5'8" (1422-1727)	4'9" - 5'9" (1448-1753)	4'10" - 5'10" (1473-1778)	4'11" - 5'11" (1499-1803)	
	5'2 <sup>1</sup> / <sub>4</sub> " - 6'2 <sup>1</sup> / <sub>4</sub> " (1581-1886)	5'3" - 6'3" (1600-1905)	5'4" - 6'4" (1626-1930)	5'5" - 6'5" (1651-1956)	5'6" - 6'6" (1676-1981)	5'8" - 6'8" (1727-2032)	5'9" - 6'9" (1753-2057)	5'10" - 6'10" (1778-2083)	5'11" - 6'11" (1803-2108)	
	6'2 <sup>1</sup> / <sub>4</sub> " - 7'2 <sup>1</sup> / <sub>4</sub> " (1886-2191)	6'3" - 7'3" (1905-2210)	6'4" - 7'4" (1930-2235)	6'5" - 7'5" (1956-2261)	6'6" - 7'6" (1981-2286)	6'8" - 7'8" (2032-2337)	6'9" - 7'9" (2057-2362)	6'10" - 7'10" (2083-2388)	6'11" - 7'11" (2108-2413)	
	7'2 <sup>1</sup> / <sub>4</sub> " - 8'2 <sup>1</sup> / <sub>4</sub> " (2191-2495)	7'3" - 8'3" (2210-2515)	7'4" - 8'4" (2235-2540)	7'5" - 8'5" (2261-2565)	7'6" - 8'6" (2286-2591)	7'8" - 8'8" (2337-2642)	7'9" - 8'9" (2362-2667)	7'10" - 8'10" (2388-2692)	7'11" - 8'11" (2413-2718)	

		L		
		3"/DN80-18"/DN450	20"/DN500	24"/DN600
BURIED DEPTH - BD	2'6" - 3'3" (762-990)	54 (1372)	49 (1245)	48 (1219)
	3'3" - 4'9" (990-1448)	66 (1676)	67 (1701)	62 (1575)
	4'9" - 6'3" (1448-1855)	78 (1981)	85 (2159)	80 (2032)
	6'3" - 7'9" (1855-2362)	90 (2286)	103 (2616)	98 (2489)
	7'9" - 9'3" (2362-2820)	102 (2591)	121 (3073)	116 (2946)
	--	114 (2896)	--	--
	--	126 (3200)	--	--

ACTUATOR SIZE	VALVE SIZE	M	N	Q	R
MDT-2S	*3"/DN80 - 8"/DN200	2 <sup>1</sup> / <sub>8</sub> (54)	2 (51)	4 <sup>1</sup> / <sub>2</sub> (114)	13 <sup>3</sup> / <sub>16</sub> (287)
MDT-3S	10"/DN250 - 14"/DN350	3 <sup>1</sup> / <sub>4</sub> (83)	3 <sup>5</sup> / <sub>16</sub> (80)	5 <sup>3</sup> / <sub>8</sub> (136)	15 <sup>1</sup> / <sub>16</sub> (392)
MDT-4S	16"/DN400 - 18"/DN450	3 <sup>3</sup> / <sub>8</sub> (86)	4 (102)	6 <sup>3</sup> / <sub>4</sub> (171)	18 <sup>3</sup> / <sub>4</sub> (476)
MDT-5	20"/DN500	4 <sup>1</sup> / <sub>2</sub> (114)	5 <sup>1</sup> / <sub>2</sub> (140)	10 <sup>1</sup> / <sub>8</sub> (257)	24 (610)
MDT-5S	24"/DN600	5 <sup>1</sup> / <sub>2</sub> (140)	3 <sup>5</sup> / <sub>8</sub> (92)	15 <sup>1</sup> / <sub>16</sub> (405)	26 <sup>1</sup> / <sub>32</sub> (498)

Pratt PIVA® Valve bodies are available with Wafer or Flanged connections in sizes 3"/DN75 - 24"/DN600 in a variety of Post Lengths to accommodate varying bury depths. Each Valve Assembly is tested for five minutes with air pressure against a closed disc covered in a pool of water at the pressure above rated pressure required by UL rules. Mechanical Joint end connections also available, please contact us for details.

For more information about us, or to view our full line of products, please visit [www.mueller-international.com](http://www.mueller-international.com) or call International Customer Service at:

UK: +44.1438.487410 Dubai: +971.4.214.6640 Singapore: +65.6816.3088 USA: +1.800.423.1323 | [International@muellerwp.com](mailto:International@muellerwp.com)

Mueller refers to one or more of Mueller Water Products, Inc., a Delaware corporation ("MWP"), and its subsidiaries. MWP and each of its subsidiaries are legally separate and independent entities when providing products and services. MWP does not provide products or services to third parties. MWP and each of its subsidiaries are liable only for their own acts and omissions and not those of each other. MWP brands include Mueller®, Echologics®, Hydro Gate®, Hydro-Guard®, Jones®, Krausz®, Mi.Net®, Miliken®, Pratt®, Pratt Industrial®, Singer®, and U.S. Pipe Valve & Hydrant. Please see [muellerwp.com/brands](http://muellerwp.com/brands) to learn more.

© 2020 Henry Pratt Company, LLC. All Rights Reserved. The trademarks, logos and service marks displayed in this document are the property of Henry Pratt Company, LLC, its affiliates or other third parties. Products above marked with a section symbol (§) are subject to patents or patent applications. For details visit [www.muellerwp.com](http://www.muellerwp.com).