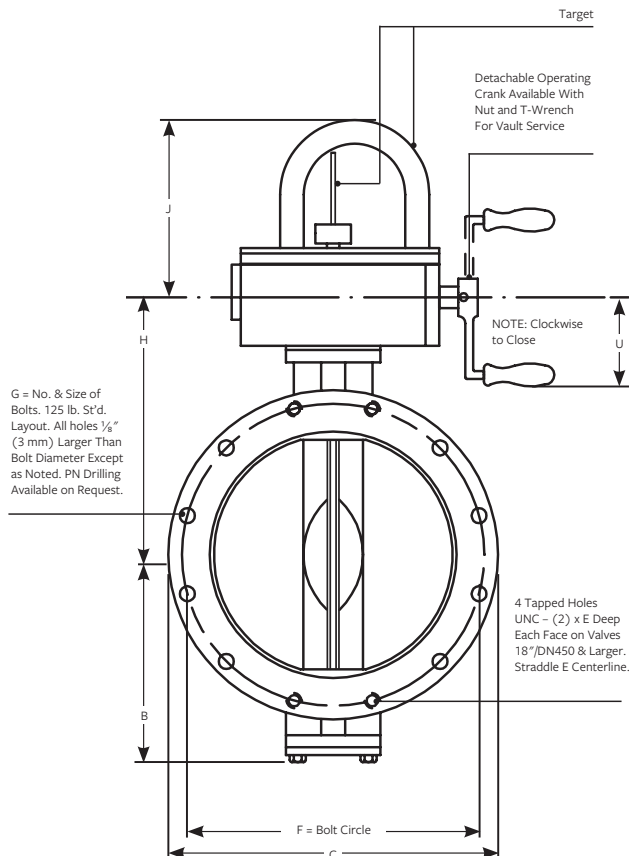


IBV - INDICATING BUTTERFLY VALVE For Seawater Service

PRODUCT FEATURES

The Pratt Indicating Butterfly Valve (IBV) is a manually operated rubber seat Butterfly Valve with a high visibility target. The IBV is designed for indoor or vault/chamber service in Fire Protection Systems.

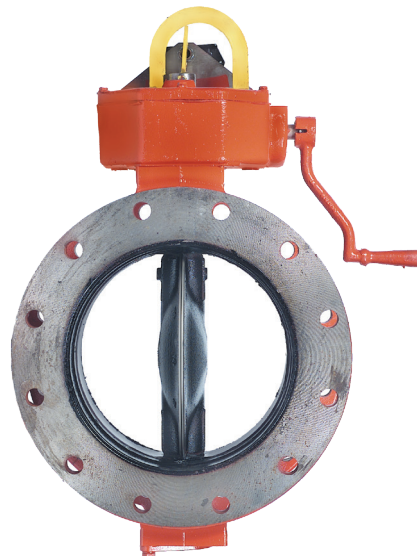
- Flanged IBV size range:
3" - 24"/DN80 - DN600, UL Listed 250psig/17barg.
- Conforms to AWWA C504 standards.
- Tested to UL 1091.
- Equipped with a weather proof Actuator.
- Does not require exercising.

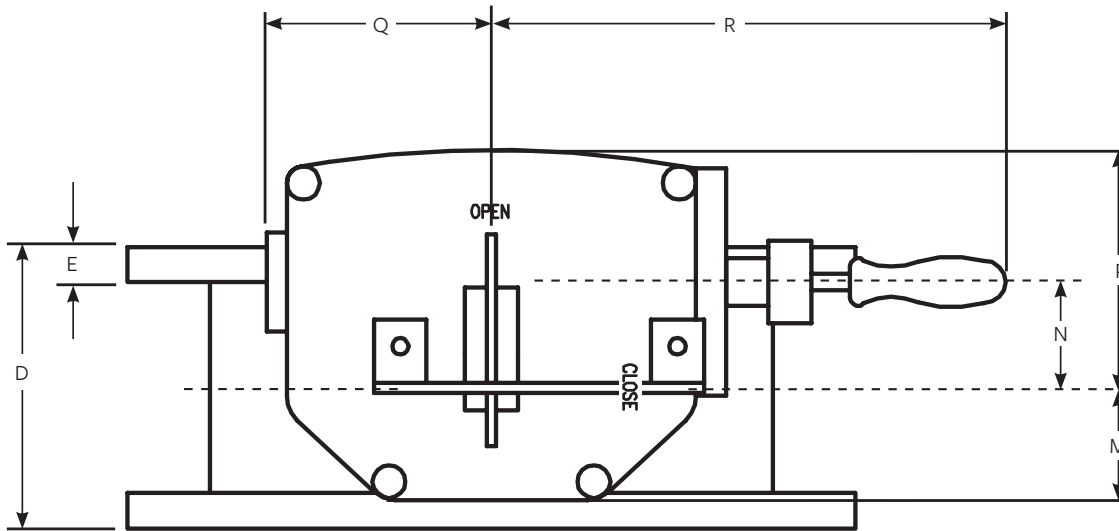


DIMENSIONS - INCHES (MM)

VALVE SIZE	B	C	E	F
3"/DN80	3 3/4 (95)	7 1/2 (191)	1 3/16 (21)	6 (152)
4"/DN100	4 1/2 (114)	9 (229)	1 (25)	7 1/2 (191)
6"/DN150	5 1/2 (140)	11 (279)	1 1/16 (27)	9 1/2 (241)
8"/DN200	6 3/4 (171)	13 1/2 (343)	1 3/16 (27)	11 3/4 (298)
10"/DN250	9 7/8 (251)	16 (406)	1 1/8 (29)	14 1/4 (362)
12"/DN300	11 3/8 (289)	19 (483)	1 5/16 (33)	17 (432)
14"/DN350	12 5/8 (321)	21 (533)	1 7/16 (36)	18 3/4 (476)
16"/DN400	14 1/2 (368)	23 1/2 (597)	1 1/2 (38)	21 1/4 (540)
18"/DN450	15 1/4 (387)	25 (635)	1 5/8 (41)	22 3/4 (578)
20"/DN500	17 (432)	27 1/2 (698)	1 3/4 (44)	25 (635)
24"/DN600	18 5/8 (473)	32 (813)	1 7/8 (48)	29 1/2 (749)

VALVE SIZE	# HOLES - ØG	H	J	U	WT-LBS (KG)
3"/DN80	4 - 5/8 (16)	6 3/8 (162)	7 3/8 (187)	4 9/16 (116)	45 (20)
4"/DN100	8 - 5/8 (16)	7 15/32 (190)	7 3/8 (187)	4 9/16 (116)	90 (41)
6"/DN150	8 - 3/4 (19)	8 1/2 (216)	7 3/8 (187)	4 9/16 (116)	115 (52)
8"/DN200	8 - 3/4 (19)	9 3/4 (248)	7 3/8 (187)	8 9/16 (217)	150 (68)
10"/DN250	12 - 7/8 (22)	11 7/16 (390)	7 21/32 (194)	8 9/16 (217)	260 (118)
12"/DN300	12 - 7/8 (22)	12 15/16 (329)	7 21/32 (194)	8 9/16 (217)	320 (145)
14"/DN350	12 - 1 (25)	14 3/4 (375)	7 21/32 (194)	8 9/16 (217)	405 (184)
16"/DN400	16 - 1 (25)	16 11/32 (415)	9 7/8 (251)	12 9/16 (319)	500 (227)
18"/DN450	16 - 1 1/8 (29)	17 7/32 (437)	9 7/8 (251)	12 9/16 (319)	610 (277)
20"/DN500	20 - 1 1/8 (29)	19 15/32 (494)	11 5/32 (283)	12 9/16 (319)	850 (295)
24"/DN600	20 - 1 1/4 (32)	23 5/16 (592)	12 1/8 (308)	12 9/16 (319)	1285 (583)





DIMENSIONS - INCHES (MM)

VALVE SIZE	D	E
3"/DN80	5 (127)	1 ³ / ₁₆ (21)
4"/DN100	5 (127)	1 (25)
6"/DN150	5 (127)	1 ¹ / ₁₆ (27)
8"/DN200	6 (152)	1 ³ / ₁₆ (30)
10"/DN250	8 (203)	1 ¹ / ₈ (29)
12"/DN300	8 (203)	1 ⁵ / ₁₆ (33)
14"/DN350	8 (203)	1 ⁷ / ₁₆ (36)
16"/DN400	8 (203)	1 ¹ / ₂ (38)
18"/DN450	8 (203)	1 ⁵ / ₈ (41)
20"/DN500	8 (203)	1 ³ / ₄ (44)
24"/DN600	8 (203)	1 ⁷ / ₈ (48)

Note: Dimensions + / - ¹/₁₆" (1.5 mm) up to 10"/DN250 valves, + / - ¹/₈" (3 mm) for 12"/DN300 and larger valves.

MATERIALS OF CONSTRUCTION

VALVE SIZE	MATERIAL
Body	Ductile Iron ASTM A536 (65-45-12) - Fully Rubber Lined
Disc	Nickel-Aluminum-Bronze (NAB) ASTM B505 - C95500
Seat	EPDM
Shaft	Super Duplex ASTM A479

VALVE SIZE	M	N	P	Q	R
3" - 6"/DN80 - DN200	2 ¹ / ₈ (54)	2 (51)	4 ¹ / ₂ (114)	4 ¹ / ₂ (114)	11 (279)
8"/DN200	2 ¹ / ₈ (54)	2 (51)	4 ¹ / ₂ (114)	4 ¹ / ₂ (114)	13 ⁵ / ₁₆ (339)
10" - 14"/DN250 - DN350	3 ¹ / ₄ (83)	3 ⁵ / ₃₂ (80)	5 (143)	5 ³ / ₈ (137)	15 ⁷ / ₁₆ (392)
16" - 18"/DN400 - DN450	3 ³ / ₈ (86)	4 (102)	7 ⁵ / ₁₆ (186)	6 ³ / ₄ (171)	18 ³ / ₄ (476)
20"/DN500	4 ¹ / ₂ (114)	5 ¹ / ₂ (140)	8 ³ / ₄ (222)	10 ¹ / ₈ (257)	24 (610)
24"/DN600	5 ¹ / ₂ (140)	3 ⁵ / ₈ (92)	10 ¹ / ₂ (265)	15 ¹⁵ / ₁₆ (405)	26 ⁷ / ₈ (683)

FLANGED CONNECTIONS

Pratt IBV valve bodies are available with Flanged connections. Underwriters Laboratories Listing for Flanged Valves is 250psig/17bar. Each Valve is tested for five minutes with air pressure against a closed disc covered in a pool of water at the pressure above rated pressure required by UL rules. Mechanical Joint end connections also available, please contact us for details.

For more information about us, or to view our full line of products, please visit www.mueller-international.com or call International Customer Service at:

UK: +44.1438.487410 Dubai: +971.4.214.6640 Singapore: +65.6816.3088 USA: +1.800.423.1323 | International@muellerwp.com

Mueller refers to one or more of Mueller Water Products, Inc., a Delaware corporation ("MWP"), and its subsidiaries. MWP and each of its subsidiaries are legally separate and independent entities when providing products and services. MWP does not provide products or services to third parties. MWP and each of its subsidiaries are liable only for their own acts and omissions and not those of each other. MWP brands include Mueller®, Echologics®, Hydro Gate®, Hydro-Guard®, Jones®, Krausz®, Mi.Net®, Milliken®, Pratt®, Pratt Industrial®, Singer®, and U.S. Pipe Valve & Hydrant. Please see muellerwp.com/brands to learn more.

© 2020 Henry Pratt Company, LLC. All Rights Reserved. The trademarks, logos and service marks displayed in this document are the property of Henry Pratt Company, LLC., its affiliates or other third parties. Products above marked with a section symbol (§) are subject to patents or patent applications. For details visit www.mwppat.com.