



**VALVE &
HYDRANT**

A-USP1+ RESILIENT WEDGE GATE VALVE

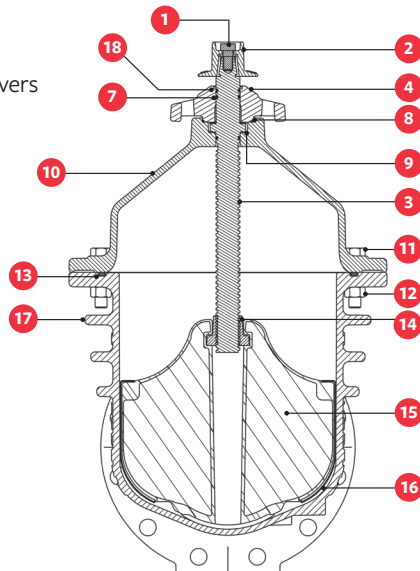
NRS – PLUS: 2” – 12”/DN50 – DN300

PRODUCT FEATURES

- Non-Rising Stem (NRS), Standard-PLUS (+) Gate Valve.
- 2” square Operating Nut (optional Handwheel).
- All Ductile Iron Body and Bonnet.
- Mueller Pro-Gard® 2-Pass Fusion Bonded Epoxy Coating covers all cast surfaces inside and out – 10 mils (250 µm) minimum. Meets requirements of AWWA/ANSI C550.
- Meets requirements of AWWA/ANSI C515 and is certified to ANSI/NSF 61 & 372.
- 316 Bolts, Nuts and Washers.
- Anti-friction washer above and below thrust collar.
- Ductile Iron Wedge, symmetrical and fully encapsulated with molded EPDM rubber; no exposed iron.
- Silicon Bronze Stem.
- 10-year limited warranty.
- Working Pressure: 350psig/24barg Test Pressure: 700psig/48 barg.
- 2”/DN50 – 12”/DN300, FM 1120/1130 approved.
- 2½”/DN65 – 12”/DN300 UL 262 listed, UL does not list 2” NRS valves.
- Flange End drilling meets: ANSI B16.1, Class 125 and ANSI B16.42, Class 150 Flat Face. Optional PN10, PN16 drilling. Mechanical Joint also available.
- Fitted with End Covers as standard.



6”/DN150 Shown



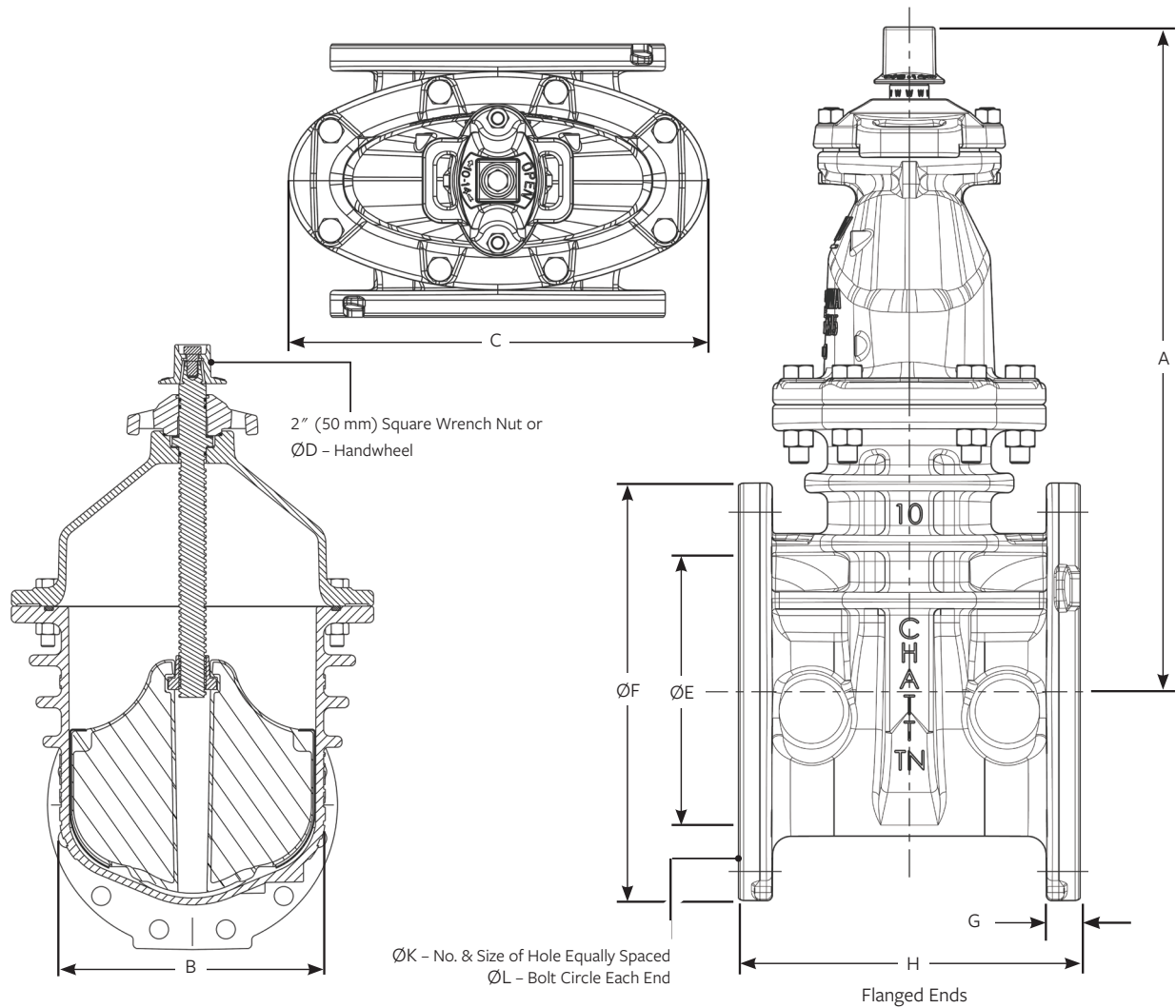
PARTS LIST

ID	PART NAME	MATERIAL
1	Cap Screw	316 Stainless Steel
2	Wrench Nut	Ductile Iron ASTM A536
3	Stem	Silicon Bronze ASTM B98 C66100
4	Stuffing Box	Ductile Iron ASTM A536
5	Stuffing Box Bolts	316 Stainless Steel
6	Stuffing Box Nuts	316 Stainless Steel
7	O-Ring	EPDM ASTM D2000
8	O-Ring (Stuffing Box Area)	EPDM ASTM D2000
9	Anti-Friction Washer	Acetal
10	Bonnet	Ductile Iron ASTM 536
11	Bonnet Bolts	316 Stainless Steel
12	Bonnet Nuts	316 Stainless Steel
13	Bonnet Gasket (O-Ring)	EPDM ASTM D2000
14	Wedge Nut	Bronze ASTM B584 Alloy C89833
15	Wedge	(See Note 1)
16	Guide Cap	Acetal
17	Body-Flange Ends	Ductile Iron ASTM 536
18	Wiper Ring	Polyurethane ASTM D412/D624

Notes:

1. 2” – 12”/DN50 – DN300 Rubber Encapsulated Ductile Iron Disc Rubber – EPDM ASTM D2000.
2. 2” – 3”/DN50 – DN80 valves also meet AWWA C509.
3. 2” & 2½”/DN50 – DN65 valves are model USP2.

MUELLER



DIMENSIONS – INCHES (MM)

VALVE SIZE	A	B	C	ØD	ØE	ØF	G	H	NO.-ØK	ØL
2"/DN50	9.88 (251)	4.77 (121)	7.02 (178)	6.00 (152)	2.30 (58)	6.00 (152)	0.69 (18)	7.00 (178)	4 - 0.75 (19)	4.75 (121)
2½"/DN65	12.38 (314)	6.01 (153)	8.63 (219)	8.00 (203)	2.80 (71)	7.00 (178)	0.75 (19)	7.50 (191)	4 - 0.75 (19)	5.50 (140)
3"/DN80	12.38 (315)	6.00 (150)	8.63 (220)	8.00 (200)	3.30 (84)	7.50 (191)	0.80 (20)	8.00 (200)	4 - 0.75 (19)	6.00 (150)
4"/DN100	14.19 (360)	7.75 (210)	10.79 (274)	11.00 (279)	4.30 (109)	9.00 (229)	1.03 (26)	9.00 (229)	8 - 0.75 (19)	7.50 (191)
6"/DN150	18.00 (457)	9.97 (267)	13.50 (343)	13.00 (330)	6.30 (160)	11.00 (279)	1.07 (27)	10.50 (267)	8 - 0.88 (22)	9.50 (241)
8"/DN200	21.50 (546)	12.60 (336)	16.36 (416)	14.00 (356)	8.30 (211)	13.50 (343)	1.19 (30)	11.50 (292)	8 - 0.88 (22)	11.75 (298)
10"/DN250	25.50 (648)	16.48 (419)	19.99 (508)	16.00 (406)	10.30 (262)	16.00 (406)	1.29 (33)	13.00 (330)	12 - 1.00 (25)	14.25 (362)
12"/DN300	28.62 (727)	16.83 (427)	21.00 (533)	16.00 (406)	12.30 (312)	19.00 (483)	1.35 (34)	14.00 (356)	12 - 1.00 (25)	17.00 (432)

Valve Size	2"/DN50	2½"/DN65	3"/DN80	4"/DN100	6"/DN150	8"/DN200	10"/DN250	12"/DN300
Wt-lb (kg)*	40 (18)	62 (28)	65 (29)	81 (37)	136 (62)	213 (97)	326 (148)	440 (200)
No. of Turns	8	11	11	14	20.5	26.5	33	38.5

*Flanged

For more information about us, or to view our full line of products, please visit www.mueller-international.com or call International Customer Service at:

UK: +44.1438.487410 Dubai: +971.4.214.6640 Singapore: +65.6816.3088 USA: +1.800.423.1323 | International@muellerwp.com

Mueller refers to one or more of Mueller Water Products, Inc., a Delaware corporation ("MWP"), and its subsidiaries. MWP and each of its subsidiaries are legally separate and independent entities when providing products and services. MWP does not provide products or services to third parties. MWP and each of its subsidiaries are liable only for their own acts and omissions and not those of each other. MWP brands include Mueller®, Echologics®, Hydro Gate®, Hydro-Guard®, Jones®, Krausz®, MiNet®, Milliken®, Pratt®, Pratt Industrial®, Singer®, and U.S. Pipe Valve & Hydrant. Please see muellerwp.com/brands to learn more.

© 2020 Mueller Water Products, Inc. All Rights Reserved. The trademarks, logos and service marks displayed in this document are the property of Mueller Water Products, Inc., its affiliates or other third parties. Products above marked with a section symbol (§) are subject to patents or patent applications. For details visit www.muellerwp.com.

F 13752 3/20

