

# MUELLER

## SWING CHECK VALVE-PLUS

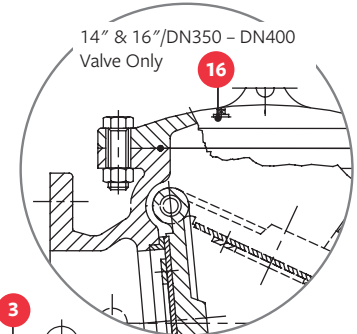
### 2" – 16"/DN50 – DN400 for Seawater Service

### PRODUCT FEATURES

- Gravity operated.
- Sizes: 2" – 16"/DN50 – DN400.
- UL Listed and FM Approved.
- 2" – 12"/DN50 – DN300: 350 psig/24 barg C.W.P., 14" & 16"/DN350 & DN400: 250 psig/17 barg C.W.P.
- Designs available: A2122-B13 – 2"/DN50 – 12"/DN300; A2122-B1 – 14"/DN350 & 16"/DN400.
- Rubber Disc Facing and Bronze Seat Ring.
- Ductile Iron Valve Body.
- Fusion Bonded Epoxy Coating for Seawater resistance
- Ductile Iron Cover has lifting lug.
- Operating parts of Bronze and Stainless Steel.
- Internal parts serviceable without removing Valve from line.
- Tapping bosses both sides of body.
- Drain plug under inlet end.
- Flange End drilling meets: ANSI B16.1, Class 125 and ANSI B16.42, Class 150 Flat Face. Optional PN10, PN16 drilling.

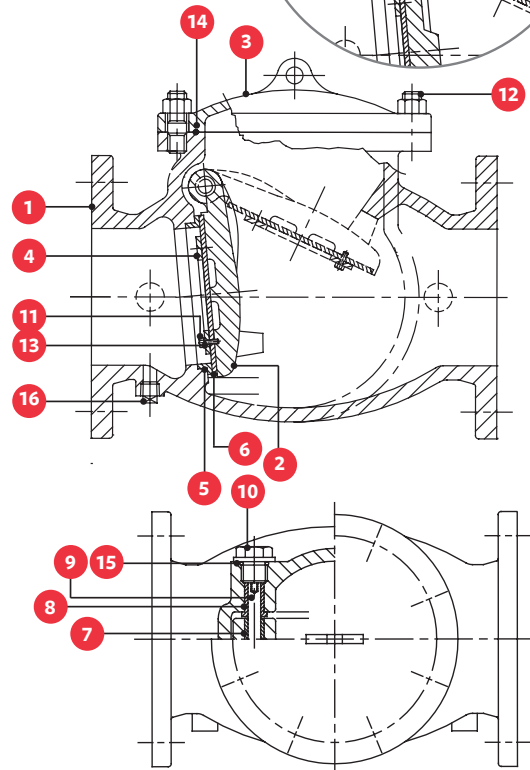


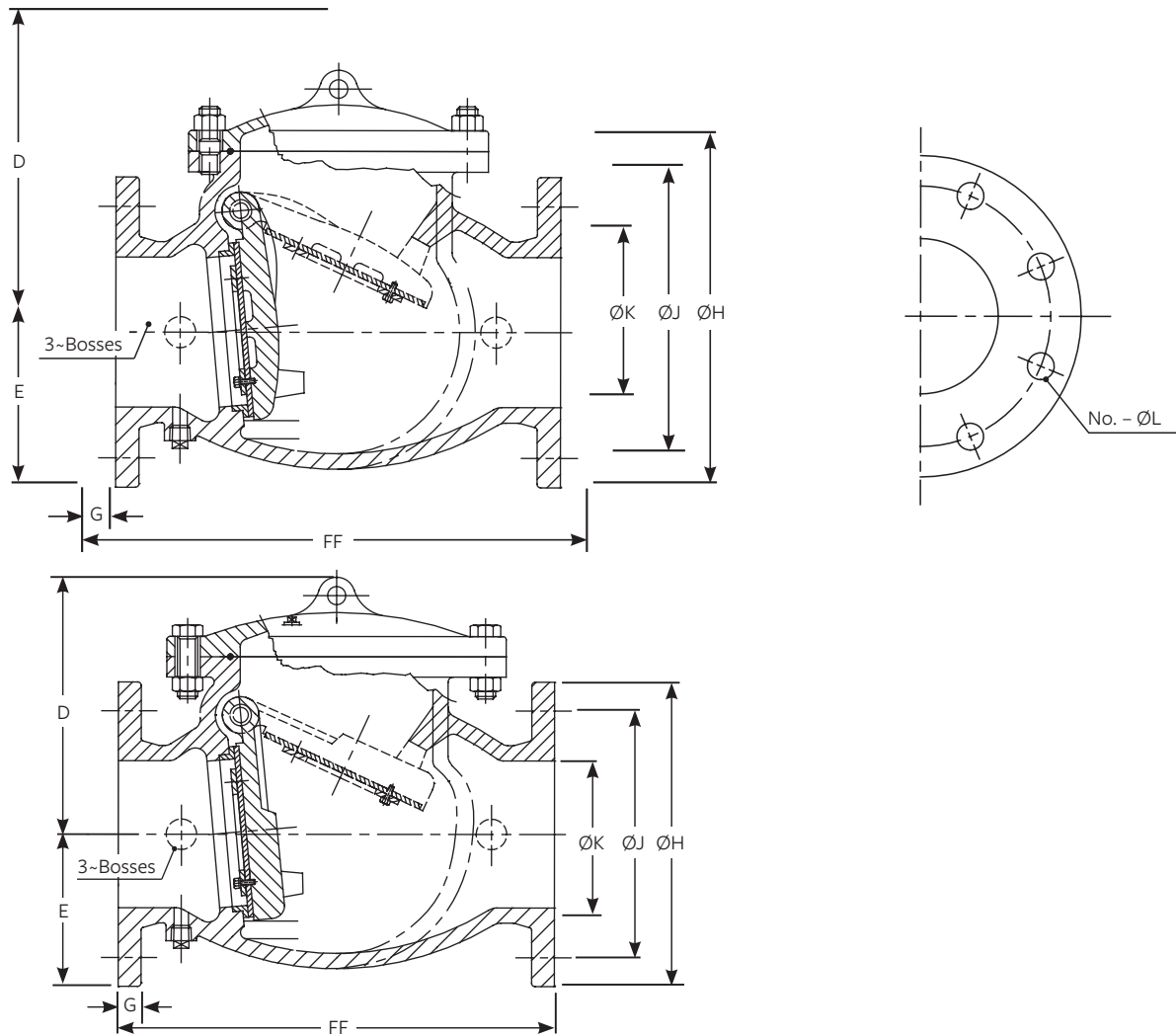
8"/DN200 SHOWN



### PARTS LIST

| ID | PART NAME        | MATERIAL                       |
|----|------------------|--------------------------------|
| 1  | Body             | Ductile Iron/A536 Gr. 65-45-12 |
| 2  | Disc             | Ductile Iron/A536 Gr. 65-45-12 |
| 3  | Cover            | Ductile Iron/A536 Gr. 65-45-12 |
| 4  | Seat Holder      | Ductile Iron/A536 Gr. 65-45-12 |
| 5  | Body Seat Ring   | Bronze/B62                     |
| 6  | Disc Seat Ring   | Rubber Buna-N or EPDM/D2000    |
| 7  | Disc Bushing     | Bronze/B62                     |
| 8  | Body Bushing     | Bronze/B62                     |
| 9  | Hinge Pin        | 316 Stainless Steel/A276       |
| 10 | Plug (A)         | 316 Stainless Steel/A276       |
| 11 | Disc Seat Bolt   | 316 Stainless Steel/A276       |
| 12 | Cover Stud & Nut | 316 Stainless Steel / A276     |
| 13 | Spring Washer    | 316 Stainless Steel/A276       |
| 14 | Cover Gasket     | Rubber Buna-N or EPDM/D2000    |
| 15 | O-Ring           | Rubber Buna-N or EPDM/D2000    |
| 16 | Plug (B)         | 316 Stainless Steel ASTM A276  |





## DIMENSIONS – INCHES (MM)

| VALVE SIZE                           | D                                      | E                                    | FF                                      | G                                  | ØH                                   | ØJ                                   | ØK                                 | NO. - ØL                                | WT. - LB. (KG) |
|--------------------------------------|--|--------------------------------------|---|------------------------------------|--------------------------------------|--------------------------------------|------------------------------------|---|----------------|
| 2"/DN50                              | 5 <sup>15</sup> / <sub>16</sub> (150)  | 3 (76)                               | 8* (203)                                | <sup>5</sup> / <sub>8</sub> (15)   | 6 (152)                              | 4 <sup>3</sup> / <sub>4</sub> (120)  | 2 (50)                             | 4 - <sup>3</sup> / <sub>4</sub> (19)    | 28 (12.7)      |
| 2 <sup>1</sup> / <sub>2</sub> "/DN65 | 6 <sup>1</sup> / <sub>16</sub> (160)   | 3 <sup>1</sup> / <sub>2</sub> (89)   | 8 <sup>1</sup> / <sub>2</sub> * (216)   | <sup>11</sup> / <sub>16</sub> (17) | 7 (177)                              | 5 <sup>1</sup> / <sub>2</sub> (139)  | 2 <sup>1</sup> / <sub>2</sub> (65) | 4 - <sup>3</sup> / <sub>4</sub> (19)    | 39 (17.7)      |
| 3"/DN80                              | 7 <sup>3</sup> / <sub>8</sub> (187)    | 3 <sup>3</sup> / <sub>4</sub> (95)   | 9 <sup>1</sup> / <sub>2</sub> * (242)   | <sup>3</sup> / <sub>4</sub> (19)   | 7 <sup>1</sup> / <sub>2</sub> (190)  | 6 (152)                              | 3 (80)                             | 4 - <sup>3</sup> / <sub>4</sub> (19)    | 50 (22.7)      |
| 4"/DN100                             | 8 <sup>1</sup> / <sub>16</sub> (203)   | 4 <sup>1</sup> / <sub>2</sub> (114)  | 11 <sup>1</sup> / <sub>2</sub> * (292)  | <sup>15</sup> / <sub>16</sub> (23) | 9 (228)                              | 7 <sup>1</sup> / <sub>2</sub> (190)  | 4 (100)                            | 8 - <sup>3</sup> / <sub>4</sub> (19)    | 75 (34.0)      |
| 6"/DN150                             | 10 <sup>5</sup> / <sub>8</sub> (269)   | 5 <sup>1</sup> / <sub>2</sub> (139)  | 14* (355)                               | 1 (25)                             | 11 (279)                             | 9 <sup>1</sup> / <sub>2</sub> (241)  | 6 (150)                            | 8 - <sup>7</sup> / <sub>8</sub> (22)    | 191 (86.6)     |
| 8"/DN200                             | 12 <sup>3</sup> / <sub>8</sub> (314)   | 6 <sup>3</sup> / <sub>4</sub> (171)  | 19 <sup>1</sup> / <sub>2</sub> * (495)  | <sup>1</sup> / <sub>8</sub> (28)   | 13 <sup>1</sup> / <sub>2</sub> (342) | 11 <sup>3</sup> / <sub>4</sub> (298) | 8 (200)                            | 8 - <sup>7</sup> / <sub>8</sub> (22)    | 272 (123.4)    |
| 10"/DN250                            | 14 <sup>1</sup> / <sub>16</sub> (373)  | 8 (203)                              | 24 <sup>1</sup> / <sub>2</sub> * (622)  | <sup>13</sup> / <sub>16</sub> (30) | 16 (406)                             | 14 <sup>1</sup> / <sub>4</sub> (361) | 10 (250)                           | 12 - 1 (25)                             | 436 (197.8)    |
| 12"/DN300                            | 17 <sup>7</sup> / <sub>16</sub> (442)  | 9 <sup>1</sup> / <sub>2</sub> (241)  | 27 <sup>1</sup> / <sub>2</sub> ** (701) | <sup>1</sup> / <sub>4</sub> (31)   | 19 (482)                             | 17 (431)                             | 12 (300)                           | 12 - 1 (25)                             | 656 (297.6)    |
| 14"/DN350                            | 20 <sup>15</sup> / <sub>16</sub> (531) | 10 <sup>1</sup> / <sub>2</sub> (266) | 31** (790)                              | <sup>13</sup> / <sub>8</sub> (34)  | 21 (533)                             | 18 <sup>3</sup> / <sub>4</sub> (476) | 14 (350)                           | 12 - 1 <sup>1</sup> / <sub>8</sub> (28) | 962 (436.4)    |
| 16"/DN400                            | 23 <sup>1</sup> / <sub>4</sub> (590)   | 11 <sup>3</sup> / <sub>4</sub> (298) | 36** (917)                              | <sup>17</sup> / <sub>16</sub> (36) | 23 <sup>1</sup> / <sub>2</sub> (596) | 21 <sup>1</sup> / <sub>4</sub> (539) | 16 (400)                           | 16 - 1 <sup>1</sup> / <sub>8</sub> (28) | 1294 (586.9)   |

\* ± <sup>1</sup>/<sub>16</sub> (1.5 mm)    \*\* ± <sup>1</sup>/<sub>8</sub> (3 mm)

**NOTE:** No. - ØL column is for the ANSI flange only.

**For more information about us, or to view our full line of products, please visit [www.mueller-international.com](http://www.mueller-international.com) or call International Customer Service at:**

**UK: +44.1438.487410    Dubai: +971.4.214.6640    Singapore: +65.6816.3088    USA: +1.800.423.1323    |    [International@muellerwp.com](mailto:International@muellerwp.com)**

Mueller refers to one or more of Mueller Water Products, Inc. a Delaware corporation ("MWP"), and its subsidiaries. MWP and each of its subsidiaries are legally separate and independent entities when providing products and services. MWP does not provide products or services to third parties. MWP and each of its subsidiaries are liable only for their own acts and omissions and not those of each other. MWP brands include Mueller®, Echologics®, Hydro Gate®, Hydro-Guard®, Jones®, Krausz®, Mi.Net®, Milliken®, Pratt®, Pratt Industrial®, Singer®, and U.S. Pipe Valve & Hydrant. Please see [muellerwp.com/brands](http://muellerwp.com/brands) to learn more.

© 2020 Mueller Water Products, Inc. All Rights Reserved. The trademarks, logos and service marks displayed in this document are the property of Mueller Water Products, Inc., its affiliates or other third parties. Products above marked with a section symbol (§) are subject to patents or patent applications. For details visit [www.mwppat.com](http://www.mwppat.com).

