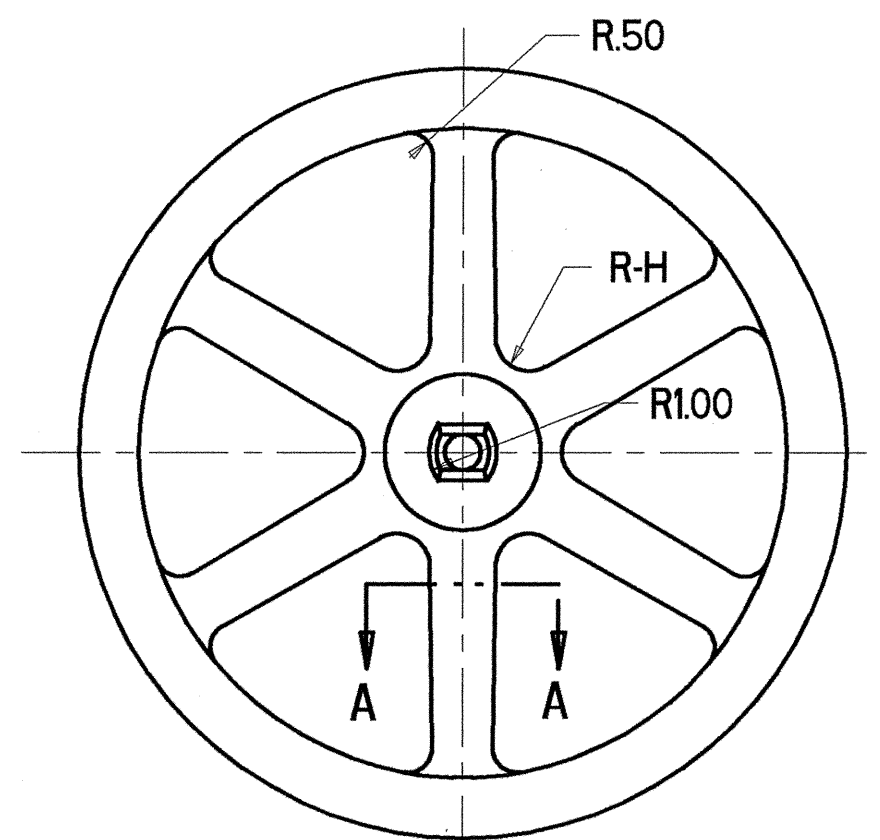
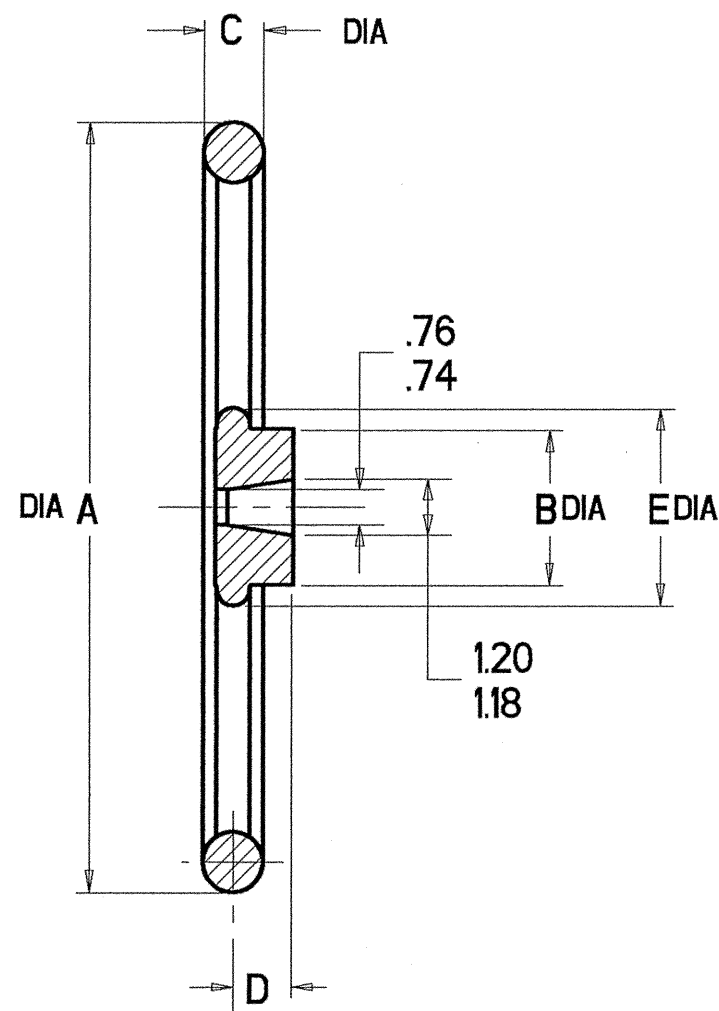
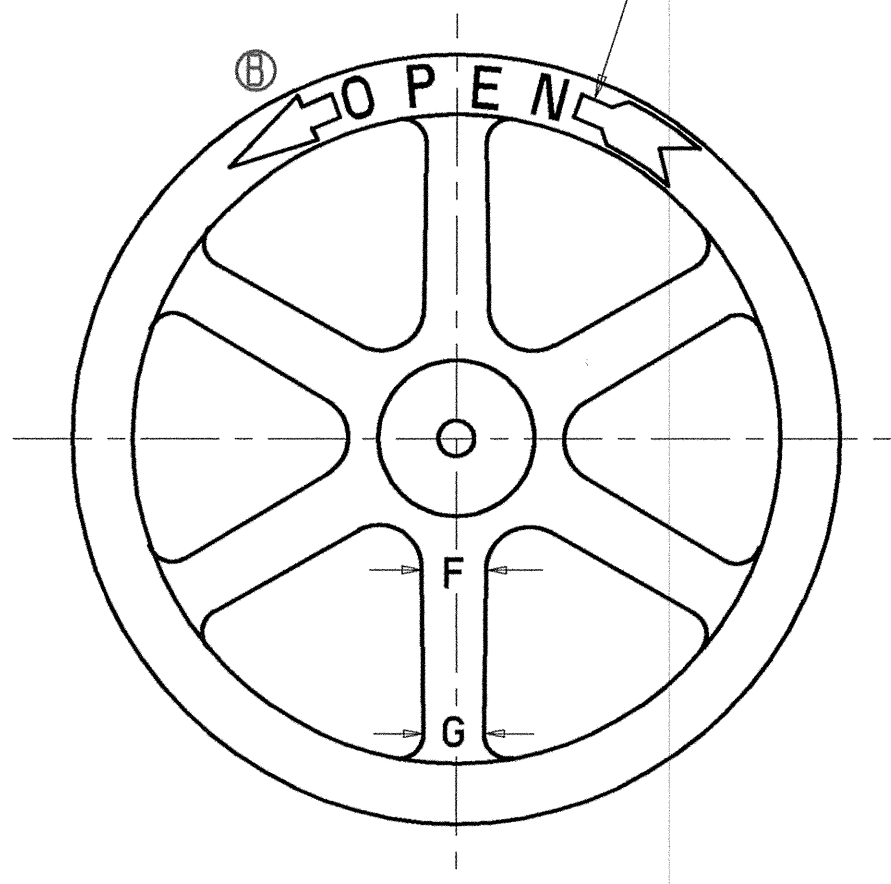
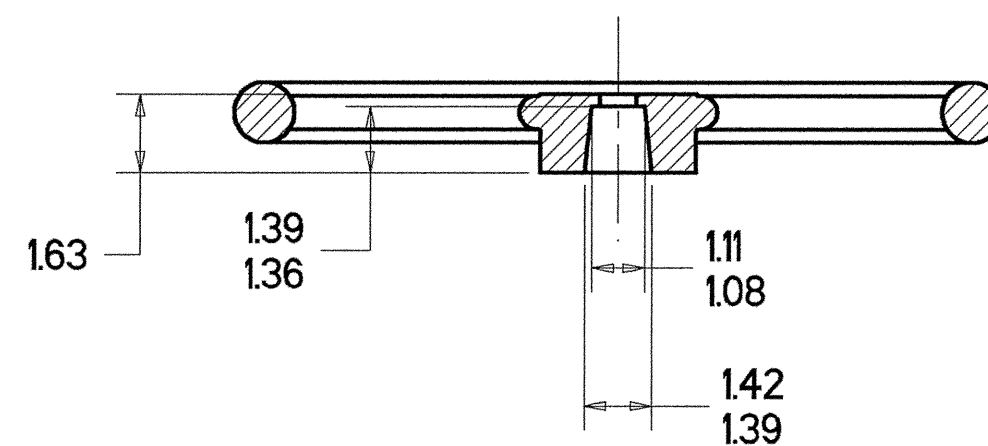


OPEN LEFT AS SHOWN  
OPEN RIGHT - OPPOSITE



SECTION A-A



ECO 1240284  
REV "A"

REPLACES DRAWING NO. 176799-1 DATED 4/26/73 BY K.I.S.

VALVE SIZE	PART NO. O.L.	PART NO. O.R.	PATT. NO. O.L.	PATT. NO. O.R.	CORE BOX NO.	A	B	C	D	E	F	G	H
10 & 12	176799-1	176800-1	53837 BC	53838 BC	52844C	16	3.25	1.25	1.16	4.13	1.38	1.25	.70
14	176801-1	176802-1	53839 BC	53840 BC	52844C	18	3.63	1.50	1.28	4.25	1.50	1.44	.63

DR. BY JLC 6/12/01	UNLESS OTHERWISE NOTED BREAK CAST CORNER(S)--- .13 BREAK MACH CORNER(S)---	THIRD ANGLE PROJECTION	C.B. NO.
CHKR TRJ 6/12/01	TOLERANCES UNLESS OTHERWISE NOTED LINEAR ± .06 ANGULAR ± 0.5°	PURCH. NO NO	FINISH RGH.
ENGR		REF. NO.	SCALE NONE
MGR		STK. NO.	PATT. NO.
MFG			
TOOL			
FDRY			

MAT'L:	CAST IRON	ASTM	A126	CLASS B
Mueller Co.	DESCR.	HANDWHEELS FOR INSIDE SCREW VALVES 10" - 14" SIZES	NUMBER	176799-1

ECO 1246395  
CHANGED ARROW DIRECTION  
JLC 9/18/01