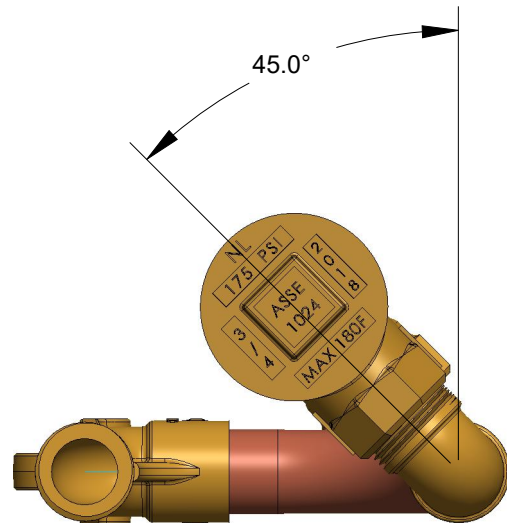
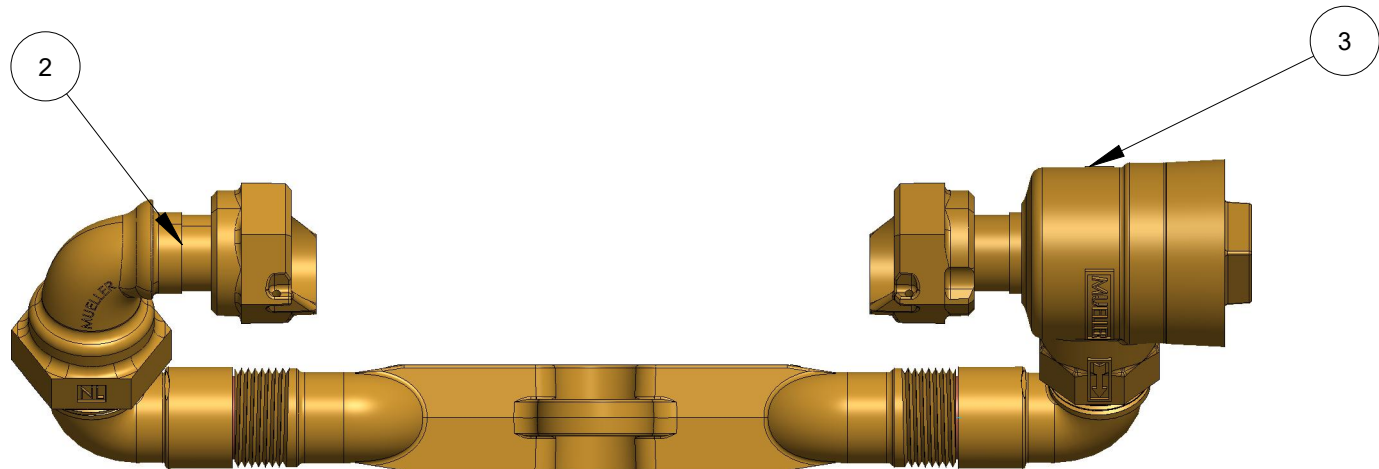
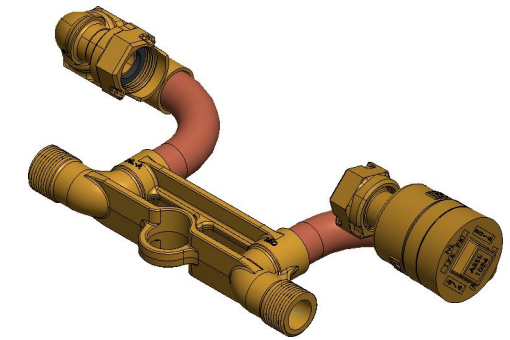
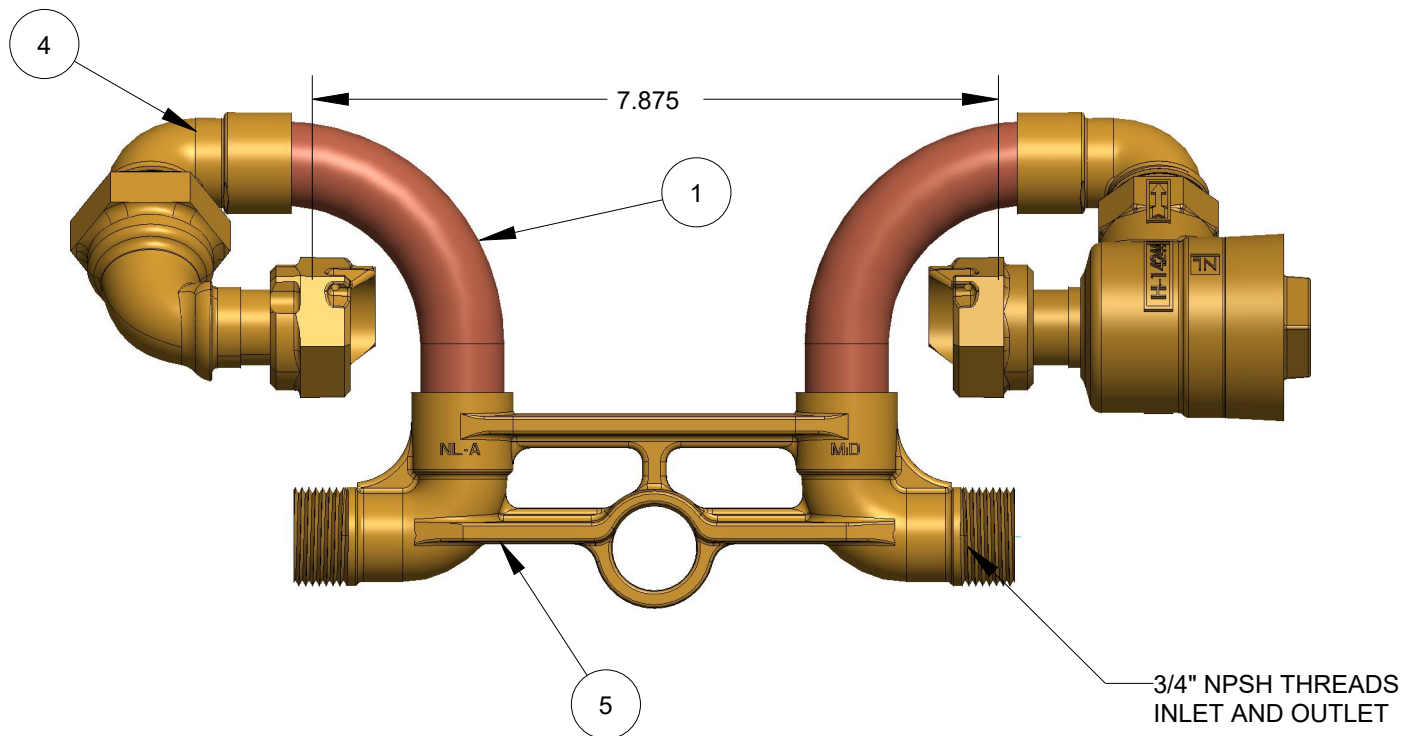


ITEM NO	PART NUMBER	QTY	DESCRIPTION
1	525351	2	COPPER TUBING
2	203H14210N	1	5/8" X 3/4" METER COUPLING
3	203H14244AN	1	5/8" X 3/4" ASSE ANGLE CHECK VALVE
4	525347E	2	SOLDER X NPT ELBOW
5	532079E	1	METER BAR WITH 3/4" NPT LLB



OPTION CODE: 04  
 \*ROTATE ELBOWS BY 45 DEGREES TOWARDS METER BAR

200H1445--2A04N

DR. BY	BBF	12/17/21	UNLESS OTHERWISE NOTED	THIRD ANGLE PROJECTION	C.B. NO.
CHKR			BREAK CAST CORNER(S)---		
ENGR			BREAK MACH CORNER(S)---	PURCH.	FINISH
MGR			TOLERANCES	REF. NO.	SCALE
MFG			UNLESS OTHERWISE NOTED	STK. NO.	NONE
TOOL			LINEAR		
FDRY			±		
MAT'L:					
			DESCR. 5/8" COPPER METER SETTER OFFSET RESETTER LOW LEAD BRASS	NUMBER 200H1445--2A04N	