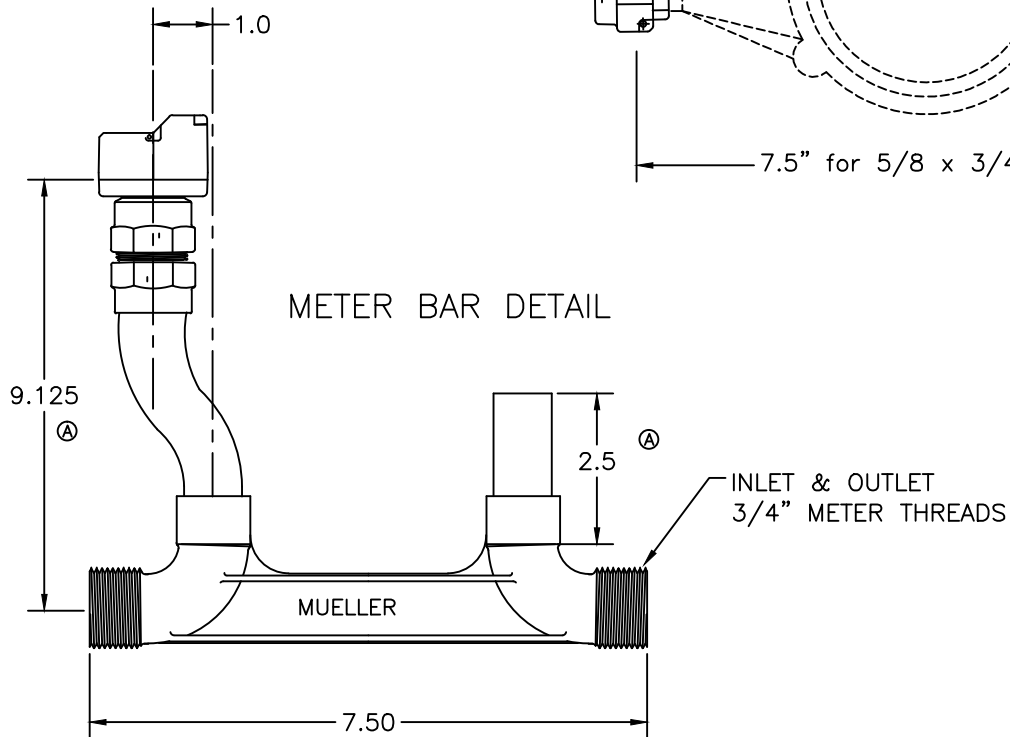
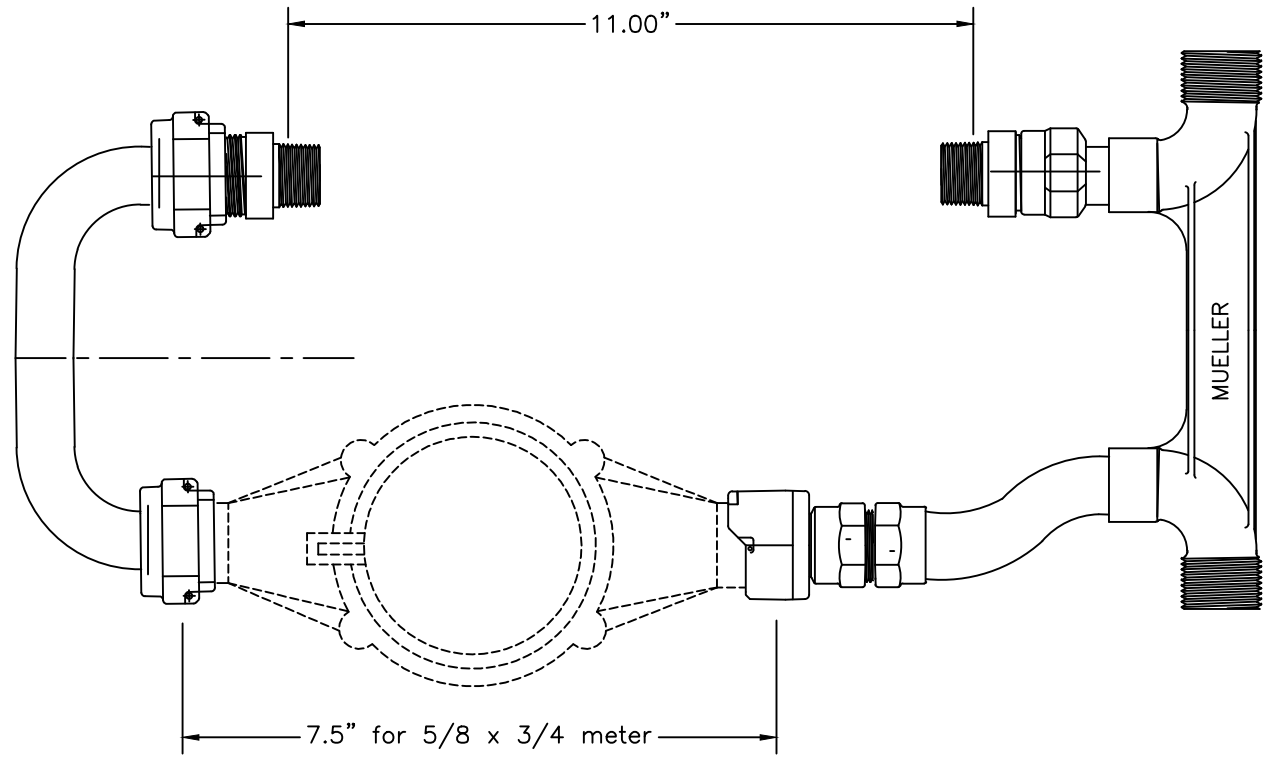


203H14114----	07N	REV.	DESCRIPTION	REF.	DRFTR	CHKR	APP	DATE
		A	2.5 WAS 2.62 AND 9.125 WAS 8	1570179				8-22-11



METER BAR DETAIL

A/C (MILLIMETER) INCH		TOLERANCES - MACHINING UNLESS OTHERWISE NOTED		THIRD ANGLE PROJECTION	
INITIAL RELEASE		BREAK EDGES MACH. .006/.016		FINISH SURFACES 125	
DRFTR	MDT 01-05-10	FRACTIONS ±1/64		DECIMALS 2 PL. ±.025 3 PL. ±.005	
CHK'R		ANGLES ±1°		SCALE NTS	
APP		MATERIAL		STK. NO.	
E.O. NUMBER		MUELLER Co.		REVISION NUMBER	
		DESCR. LOW LEAD TANDEM LOOP SETTER		203H14114----07N SHEET 1 OF 1	

ECO-1523997