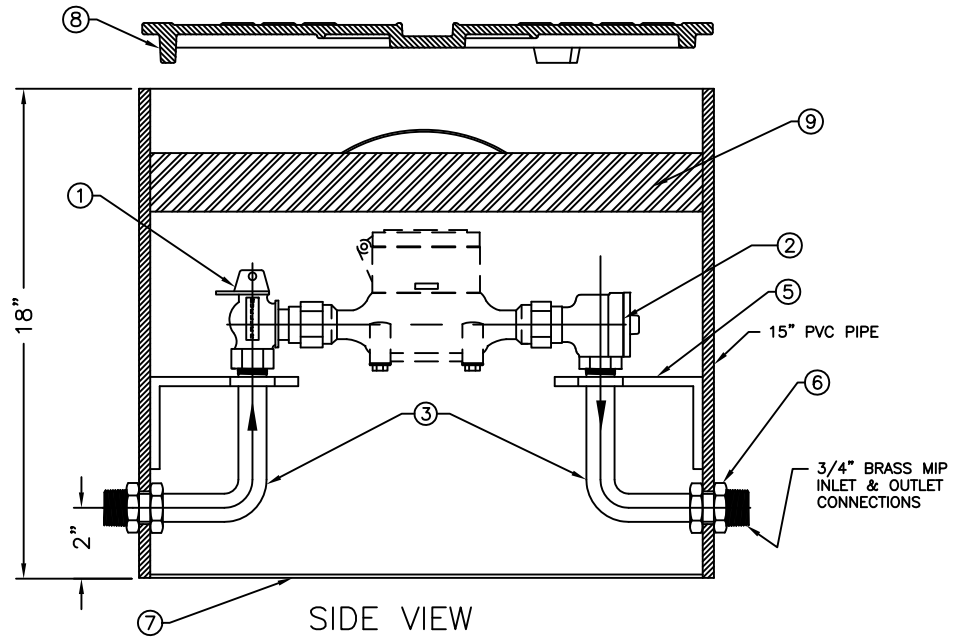
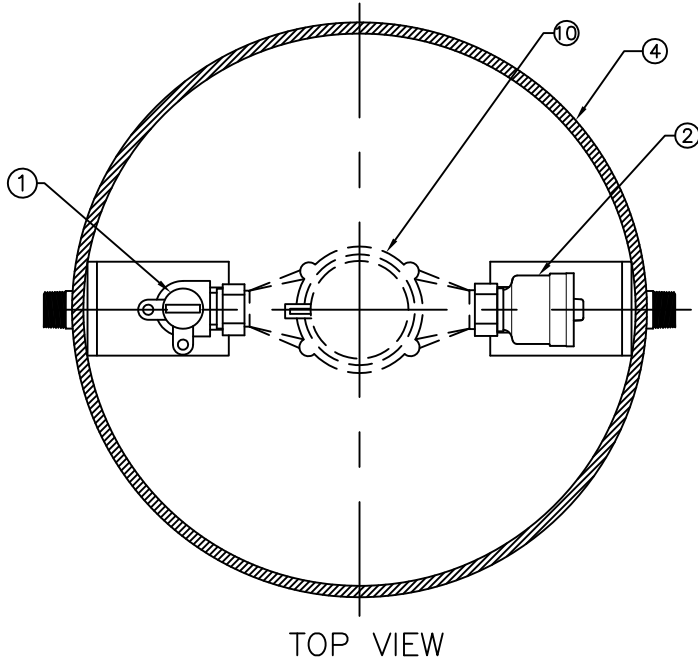


ITEM	DESCRIPTION	PART NO.	REQ'D
1	5/8" X 3/4" LOCKWING FULL PORT BALL VALVE	B24265N	1
2	5/8" X 3/4" ASSE APPROVED DUAL CHECK VALVE	H1424451AN	1
3	RISER SUB ASSEMBLY		2
4	15" SHELL SUB ASSEMBLY		1
5	SUPPORT BRACKET		2
6	3/4" HEX NUTS		4
7	15" DIA STAINLESS STEEL BOTTOM		1
8	CAST IRON NON-LOCKING LID (OPTIONAL)	790007	----
9	15" X 2" INSULATING PAD (OPTIONAL)	790162	----
10	METER (NOT INCLUDED)		----

*NOTE: METER NOT INCLUDED



203RS1518FSANN

REV.	DESCRIPTION	REF.	DRFTR	CHK'R	APP	DATE

DRFTR	BBF	3/23/17	THIRD ANGLE PROJECTION	REF. NO.	SCALE
CHK'R					NONE
E.O. NUMBER				STOCK No.	
Mueller Co.			DESCR.	REV.	NUMBER
			5/8"x3/4" RIGID SINGLE METER PIT 15" DIA X 18" DEPTH LOW LEAD BRASS		203RS1518FSANN
				SHEET 1 OF 1	