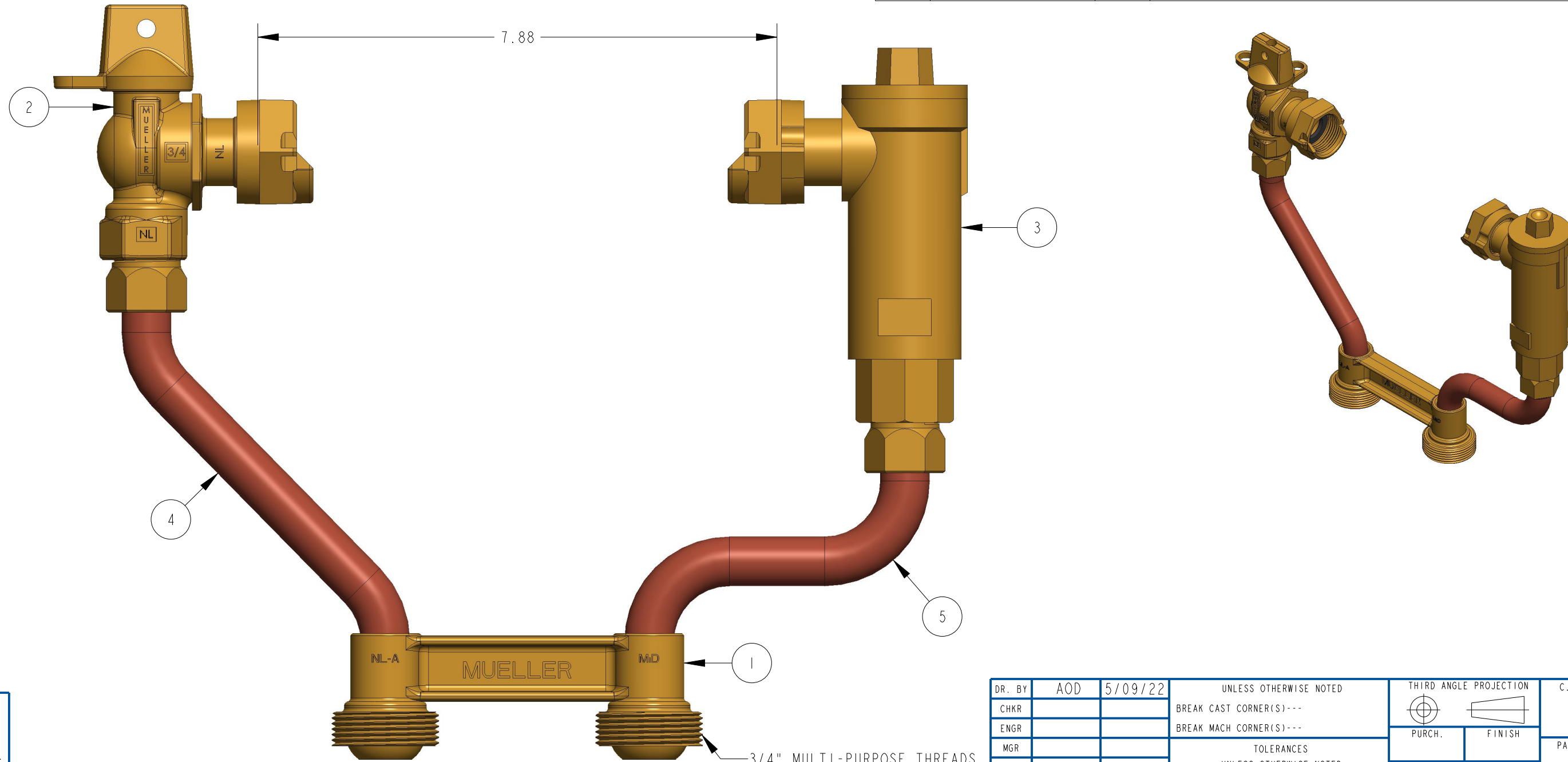


ITEM NO	PART NUMBER	QTY	DESCRIPTION
1	038559	1	5/8" & 5/8" X 3/4" MULTI-PURPOSE METER BAR
2	215B2426551RN	1	5/8" X 3/4" REDUCED PORT BALL VALVE
3	215HI4460AN	1	5/8" X 3/4" VERTICAL ASSE APPROVED CHECK VALVE
4	680003E	1	RISER SUB ASSEMBLY
5	682219E	1	RISER SUB ASSEMBLY



3/4" MULTI-PURPOSE THREADS INLET AND OUTLET

DR. BY	AOD	5/09/22	UNLESS OTHERWISE NOTED		THIRD ANGLE PROJECTION		C.B. NO.	
CHKR			BREAK CAST CORNER(S)---					
ENGR			BREAK MACH CORNER(S)---		PURCH.	FINISH	PATT. NO.	
MGR			TOLERANCES UNLESS OTHERWISE NOTED		REF. NO.	SCALE		
MFG			LINEAR	ANGULAR	NONE			
TOOL			±	±	STK. NO.			
FDRY			MAT'L:					
			MUELLER		DESCR. 5/8"X3/4" COPPER METER SETTER VERTICAL INLET AND OUTLET LOW LEAD BRASS		NUMBER 203B2410-R6A--N	

203B2410-R6A--N