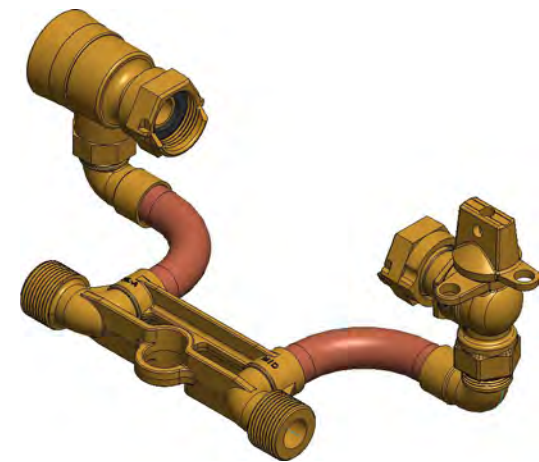
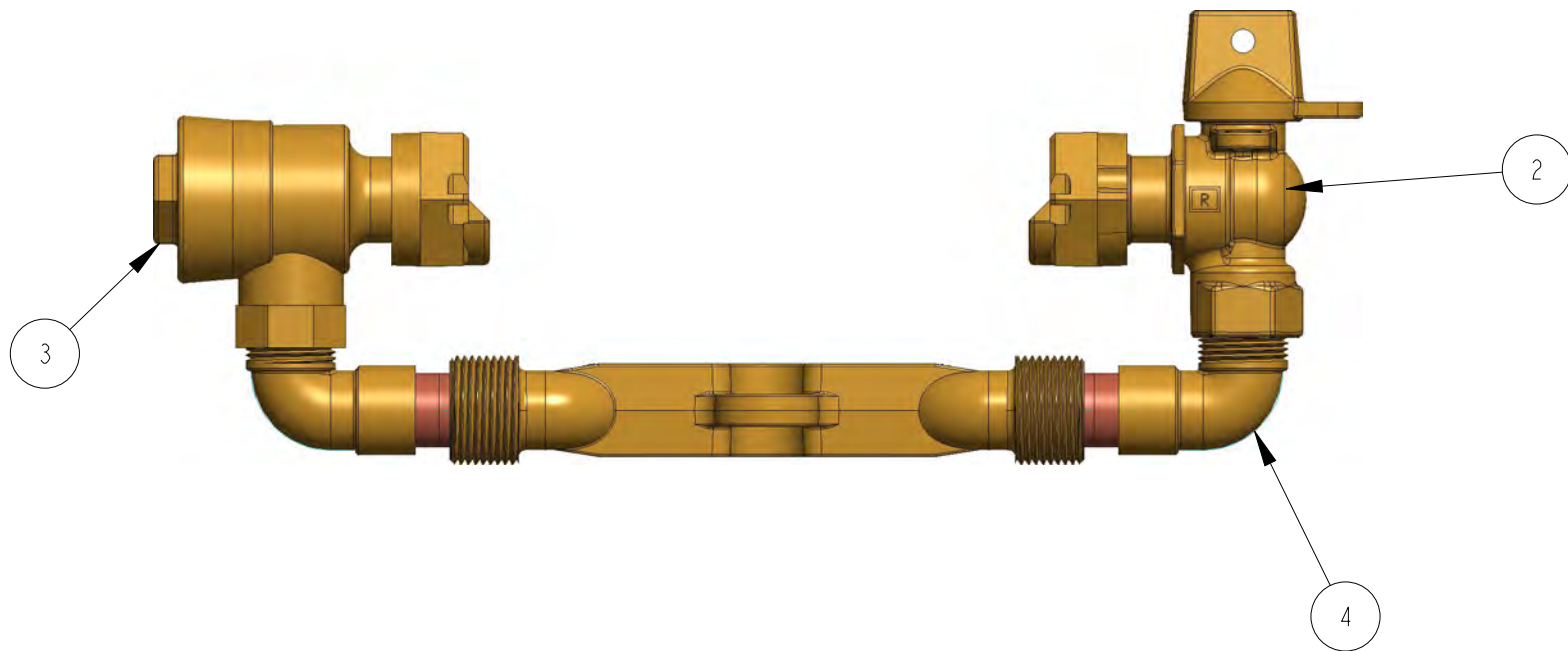
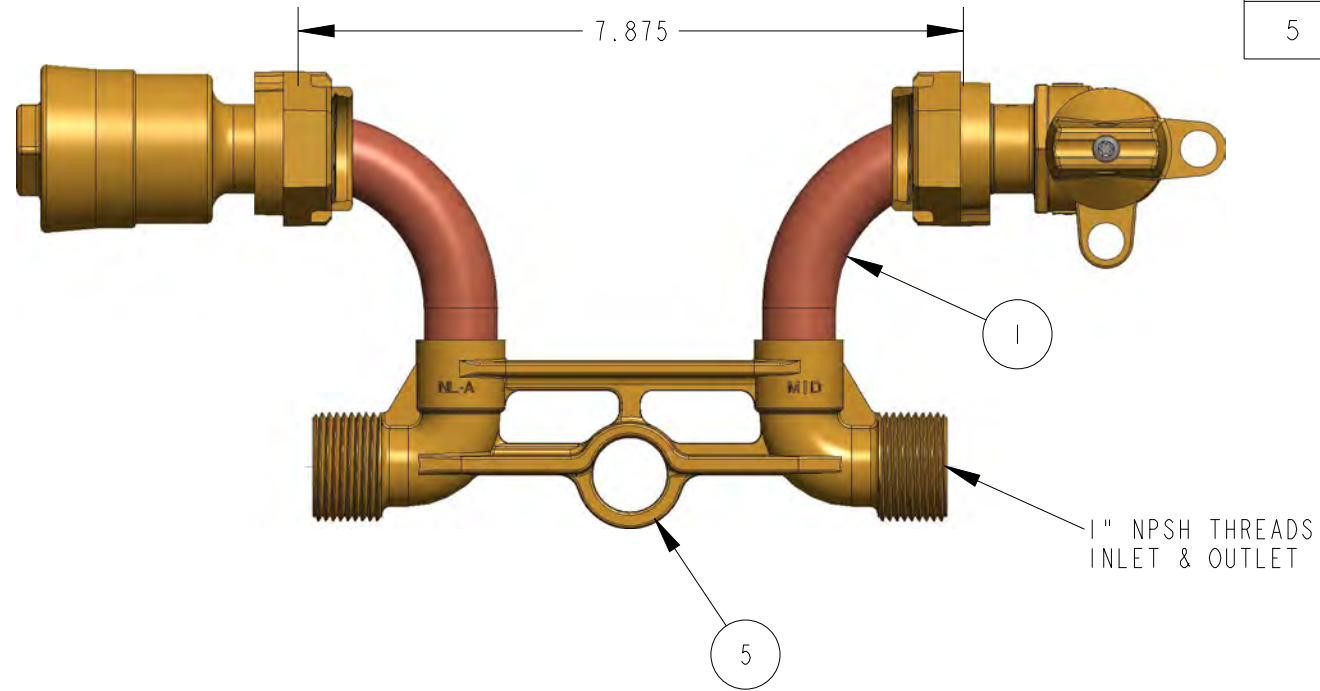


ITEM NO	PART NUMBER	QTY	DESCRIPTION
1	525351	2	COPPER TUBING
2	215B2426551RN	1	5/8" X 3/4" REDUCED PORT BALL VALVE
3	215HI4244AN	1	5/8" X 3/4" ASSE DUAL CHECK VALVE
4	525347E	2	SOLDER X NPT ELBOW
5	532087E	1	METER BAR 1" METER THREAD LLB



DR. BY	JBK	5/20/22	UNLESS OTHERWISE NOTED	THIRD ANGLE PROJECTION	C.B. NO.
CHKR			BREAK CAST CORNER(S)---		
ENGR			BREAK MACH CORNER(S)---	PURCH.	FINISH
MGR			TOLERANCES	REF. NO.	PATT. NO.
MFG			UNLESS OTHERWISE NOTED	SCALE	
TOOL			LINEAR	ANGULAR	
FDRY			±	±	STK. NO.
MAT'L:					
MUELLER			DESCR.	NUMBER	
			5/8" X 3/4" COPPER RESETTER LOW LEAD BRASS	203B2446-R2A--N	

203B2446-R2A--N